



INC1

INC1/D0-3V

Inclination sensor, 1-axes, 360°, RS485 +
Analogue, M12 pigtail
INCLINATION SENSOR

OVERVIEW

- M18 housing
- AISI316L stainless steel housing (front included)
- IP67 protection degree



TECHNICAL FEATURES

Detection properties

Operative range	360°
Resolution	0,025° (@ RS485)
Detection Axes	1

Application

Technology	MEMS
------------	------

Outputs

Output type	Digital + Analogue (I/V selectable)
Output Function	Angular position
Digital Output	RS485 57600 baud rate - 1 bit stop - no parity
Voltage Analogue Output	0...5V / 0...10V (selectable)
Current Analogue Output	4...20mA / 0...20mA / 0...24mA (selectable)

Electrical data

Operating Voltage	19,2 ... 28,8 Vdc
Power consumption	< 1 W
LED indicators	Green: Run mode Yellow: writing/programming memory Blue: transit of RS485 packet data Red: alarm active
Reverse Polarity Protection	Yes
Impulsive Overvoltage Protection	Yes
Digital Resolution	14 bit @RS485
Analogue Resolution	12 bit
Load Resistor (Voltage)	1k Ω ... 1M Ω
Load Resistor (Current)	100 ... 500 Ω

Mechanical data

Dimensions	M18
Housing material	Stainless steel AISI316L (body) Grilamid (cable exit)

Connections	pigtail 200mm + M12- 5 poles
Active Head Material	Stainless steel AISI316L
Operating temperature	-25°C ...+70°C
Storage temperature	-30°C ... + 90°C (without ice)
Humidity	< 80% (without condensation)

Test/Approvals

Approvals	CE
Degree of protection	IP67

Accessories

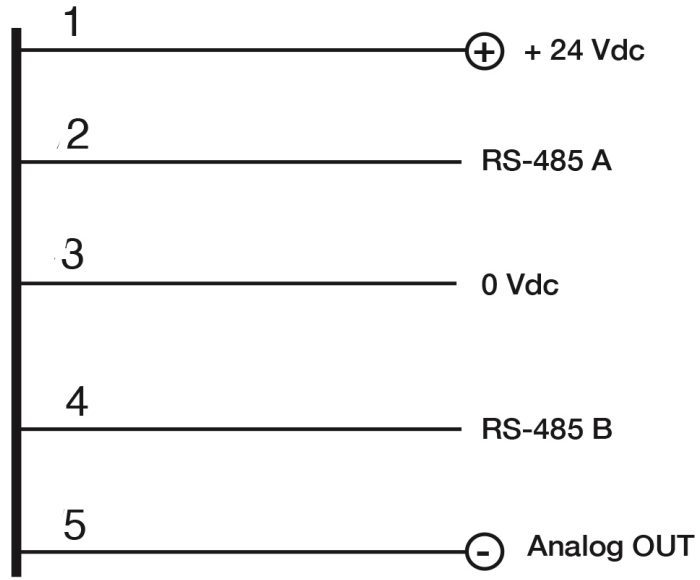
Supplied Accessories	2 x nuts
----------------------	----------

Generical Data

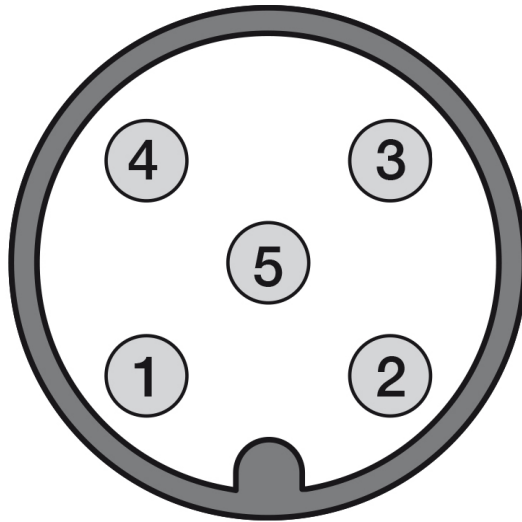
Dimensions	M18
Operating Temperature	-25°C ...+70°C
Humidity	< 80% (without condensation)
Mechanical Protection	IP67

CONNECTIONS

Electrical diagram



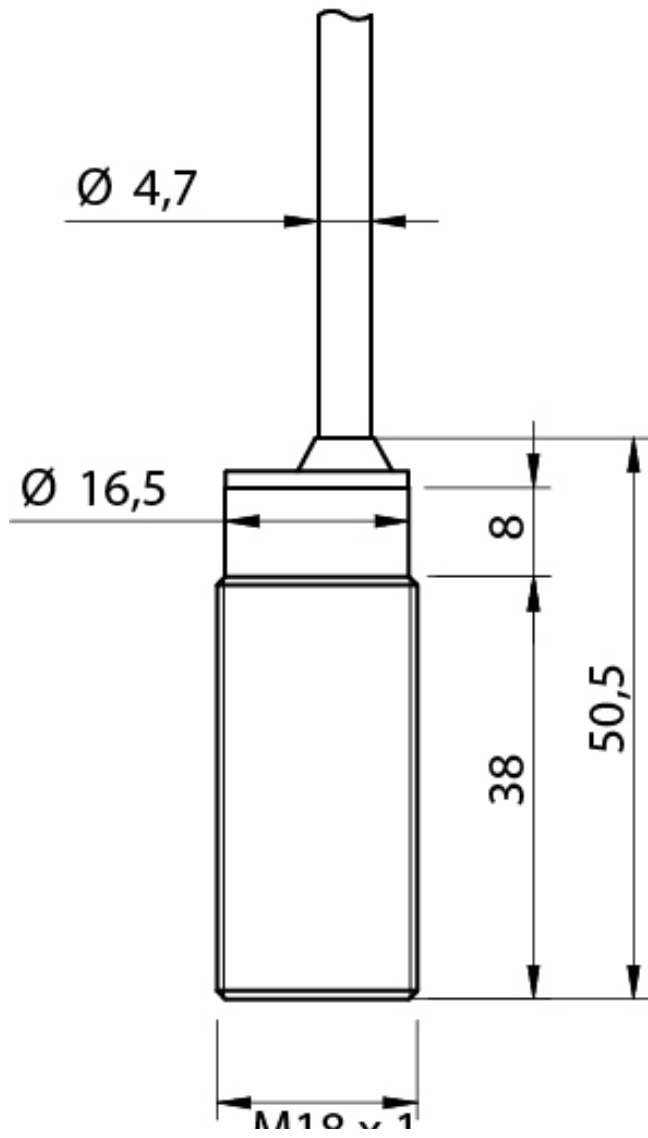
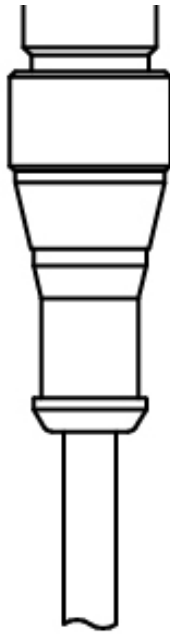
Connector



OTHERS

Dimensions





**Datasensing
S.r.l.**

Strada S.Caterina, 235
41122 Modena (MO)
Tel. 059 420411
Fax 059 253973
E-mail
info@datasensing.com

**date of
printing**
22/05/2026
19:20:57