



FC3

FC3/A

**Photo.Fork,MOSFET-LO/DO,M12
plug,Edge detect**

**DUAL BEAMS PHOTOELECTRICS SLOT SENSOR FOR
SENSOR EDGE DETECTION**

OVERVIEW

- Dual beams photoelectric slot sensor
- RIAC output
- Light on/Dark on selectable by polarity inversion
- Approvals: CE



TECHNICAL FEATURES

Detection properties

Beams space	6,8mm
Optics diameter	3mm

Outputs

Output type	MOSFET
Output Function	LO/DO
Switching frequency	25Hz

Electrical data

Operating Voltage	10...30Vdc
No-Load supply current	$\leq 30\text{mA}$
Load current	$\leq 500\text{mA}$ (V=30Vdc/24Vac)
Leakage current	$\leq 250\mu\text{A}$ (V=30V max))
Output voltage drop	$\leq 1,2\text{V}$ @ Iload=500mA
Max ripple content	< 10%
LED indicators	green (supply) red (output)
Emission	infrared
Inrush current	5A (T=10 μs)
Blocking voltage / Operating voltage	$\pm 40/30\text{Vdc}$ - 30Vac eff.

Mechanical data

Dimensions	26,4 x 75 x 90 mm
Weight	122g
Housing Material	PCB
Connections	Pigtail

Test/Approvals

Approvals	CE
-----------	----

Degree of protection	IP64
----------------------	------

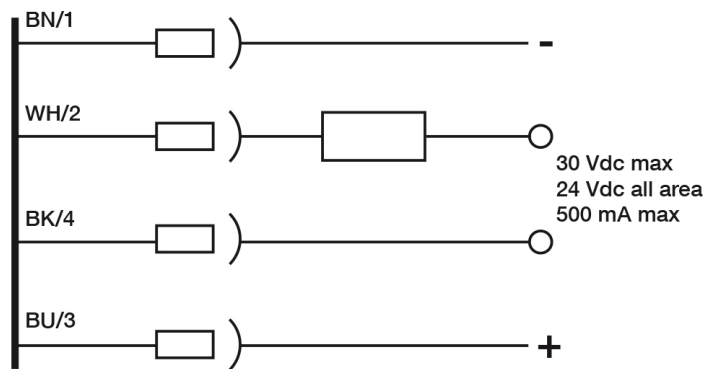
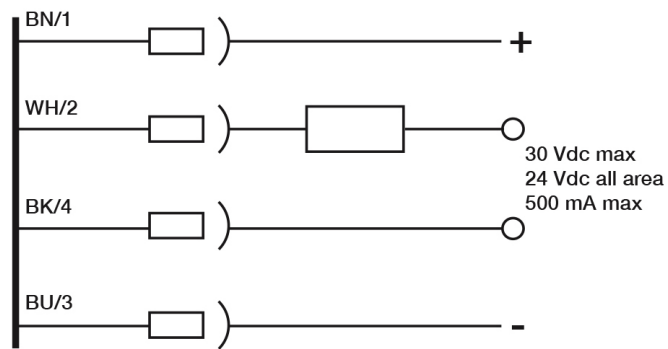
Generical Data

Dimensions	26,4 x 75 x 90 mm
------------	-------------------

Mechanical Protection	IP64
-----------------------	------

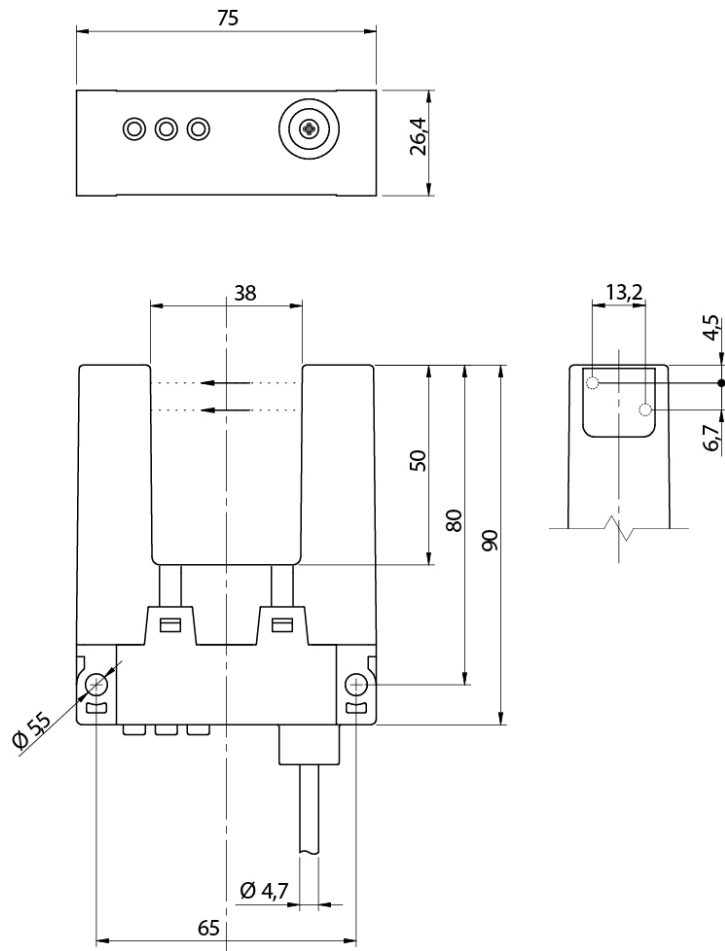
CONNECTIONS

Electrical diagram



OTHERS

Dimensions



**Datasensing
S.r.l.**

Strada S.Caterina, 235
41122 Modena (MO)
Tel. 059 420411
Fax 059 253973
E-mail
info@datasensing.com

**date of
printing**
05/04/2026
06:12:31