



## UK6

### UK6D/HP-0EUL

Ultra.M18,PNP-NO/NC,M12 plug,Diffuse  
M18 CYLINDRICAL SHORT BODY DIRECT DIFFUSE &  
RETRO-REFLECTIVE ULTRASONIC SENSOR UK6 WITH  
TEACH-IN BUTTON

## OVERVIEW

- M18 diffuse sensors with short housing
- Digital output
- Analogue output



## TECHNICAL FEATURES

### Detection properties

Nominal sensing distance	1200mm
Thermal drift of Sr	$\leq 2\%$
Repeat Accuracy	0,50%
Beam angle	$8^\circ \pm 2^\circ$
Resolution	$\leq 3\text{mm}$
Sensitivity adjustment	Teach-in button

Hysteresis	1%
thermal compensation	Yes
Minimum sensing distance (blind zone)	80mm
Linearity error	1%

### Application

Function Principle	Diffuse reflection
--------------------	--------------------

### Outputs

Output type	PNP
Output Function	NO/NC
Switching frequency	5Hz
Response time	400ms

### Electrical data

Operating Voltage	10 - 30Vdc
No-Load supply current	$\leq 35\text{mA}$ @ $V_{al} = 30\text{V}$
Load current	100mA
Leakage current	$10\mu\text{A}$ @ $30\text{V}_{cc}$
Output voltage drop	2,2Vmax. @ $I_L = 100\text{ mA}$
Max ripple content	5%

LED indicators	green: echo - yellow: output
Time delay before availability	≤300ms
Short-circuit protection	Yes
Reverse Polarity Protection	Yes
Impulsive Overvoltage Protection	Yes

#### Mechanical data

Dimensions	M18 x 1 / L = 60,3mm
Housing material	PBT housing
Weight	65g
Connections	M12 Plug
Tightening torque	1Nm
Operating temperature	- 20°C...+ 70°C
Storage temperature	- 35°C...+ 80° C without freeze
Transducer Frequency	200kHz
Diameter/Dimension	M18

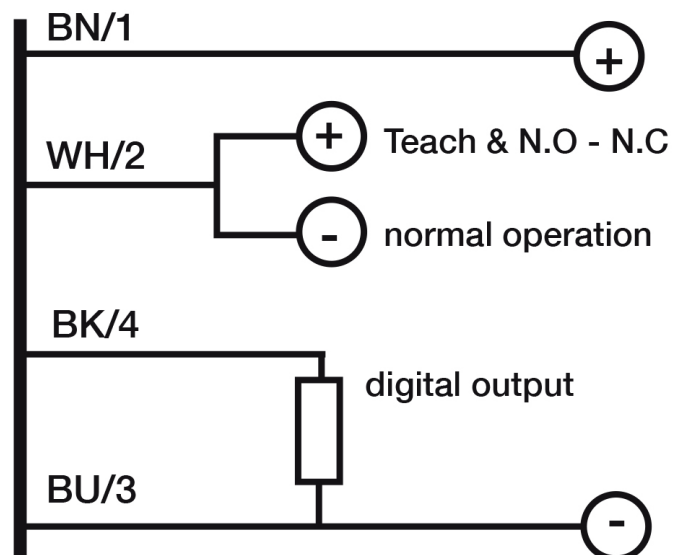
#### Test/Approvals

Approvals	CE cULus
EMC compatibility	IEC 60947-5-2

Shocks and vibrations	IEC EN60947-5-2 / 7.4
Degree of protection	IP67
<b>Accessories</b>	
Supplied Accessories	2 nuts M18x1, 2 washers Ø 18
<b>Generical Data</b>	
Dimensions	M18 x 1 / L = 60,3mm
Operating Temperature	- 20°C...+ 70°C
Mechanical Protection	IP67

## CONNECTIONS

Electrical diagram

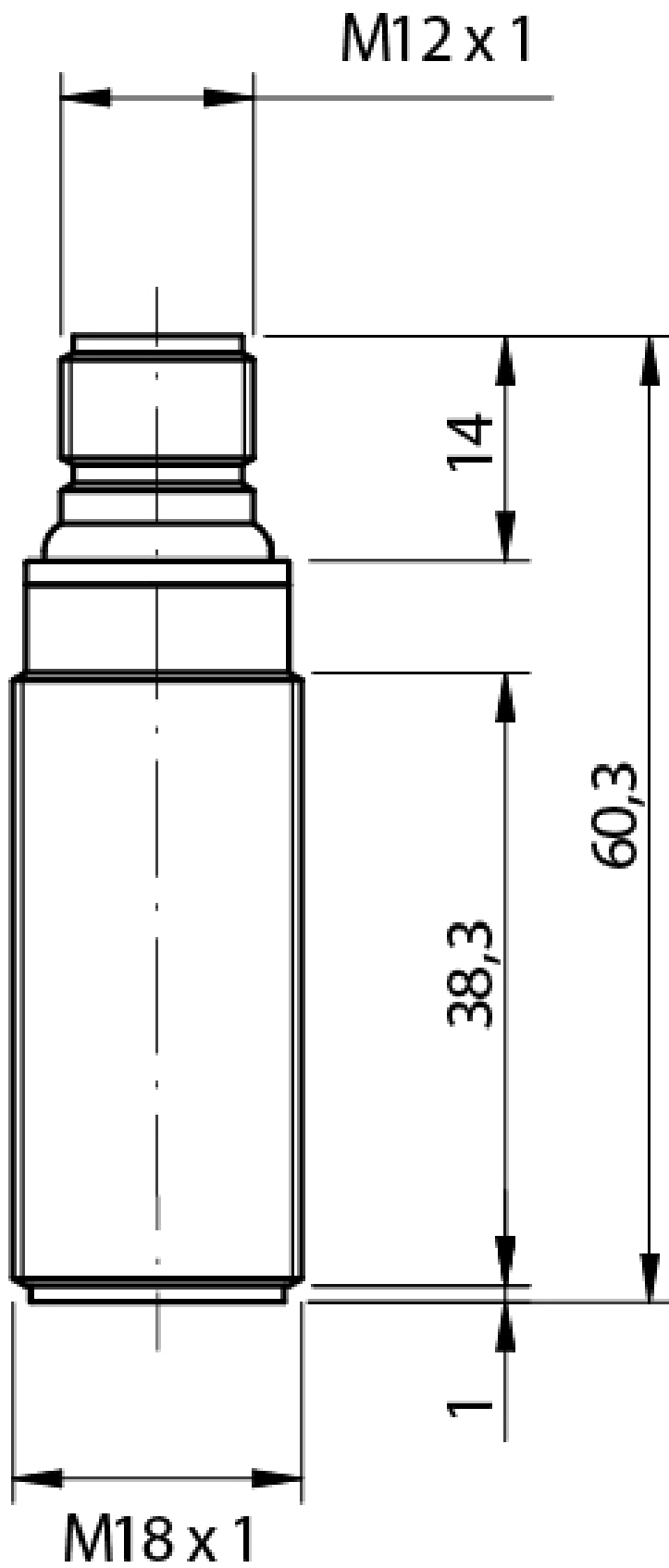


Connector

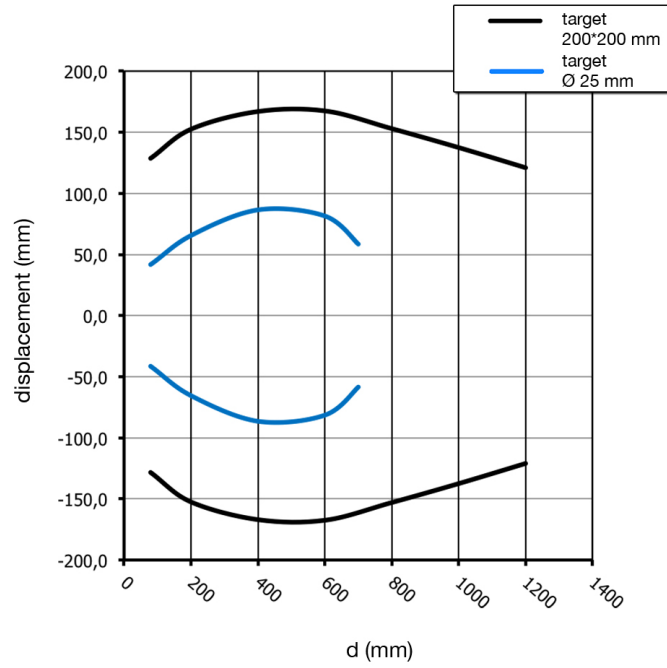


# OTHERS

Dimensions



Response curves



**Datasensing  
S.r.l.**

Strada S.Caterina, 235  
41122 Modena (MO)  
Tel. 059 420411  
Fax 059 253973  
E-mail  
info@datasensing.com

**date of  
printing**  
13/06/2026  
13:48:37