



UH

UHZ/AP-0A

Ultra.20x30x12,PNP-NO,Cable,Emitt+Receiv
CUBIC THROUGH BEAM ULTRASONIC SENSORS

OVERVIEW

- Total protection against any type of electric damages
- Plastic housing
- IP67 protection degree
- Approvals: CE



TECHNICAL FEATURES

Detection properties

Nominal sensing distance	300mm
Beam angle	$\pm 8^\circ$
Sensitivity adjustment	No
thermal compensation	Yes
Minimum sensing distance (blind zone)	0mm

Application

Function Principle	Emitter + Receiver
--------------------	--------------------

Outputs

Output type	PNP
-------------	-----

Output Function	NO
-----------------	----

Switching frequency	500Hz
---------------------	-------

Response time	1ms
---------------	-----

Electrical data

Operating Voltage	19 - 30Vdc
-------------------	------------

Load current	40mA
--------------	------

Leakage current	< 10 μ A
-----------------	--------------

Output voltage drop	< 2,5V
---------------------	--------

Max ripple content	< 10%
--------------------	-------

LED indicators	Yellow LED (output active or incorrect alignment)
----------------	---

Time delay before availability	< 200ms
--------------------------------	---------

Short-circuit protection	Yes
--------------------------	-----

Reverse Polarity Protection	Yes
-----------------------------	-----

Impulsive Overvoltage Protection	Yes
----------------------------------	-----

Mechanical data

Dimensions	24 x 30 x 15mm
Housing material	PBTP
Weight	100g
Connections	2m PVC cable
Active Head Material	ceramics
Operating temperature	- 15°C...+ 60°C
Storage temperature	- 25°C...+ 75° C (without freeze)
Transducer Frequency	300KHz
Diameter/Dimension	Cubic

Test/Approvals

Approvals	CE
EMC compatibility	IEC 60947-5-2
Shocks and vibrations	IEC EN 60947-5-2 / 7.4
Degree of protection	IP67

Generical Data

Dimensions	24 x 30 x 15mm
Operating Temperature	- 15°C...+ 60°C
Mechanical Protection	IP67

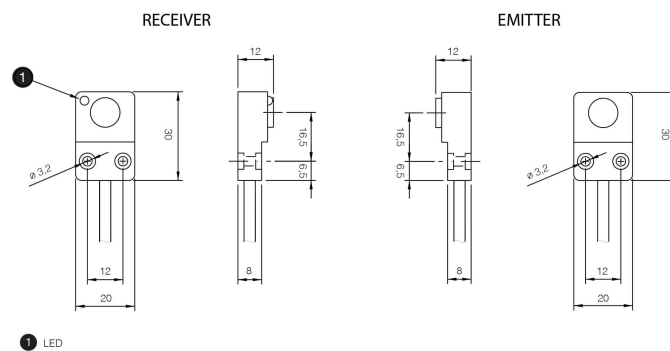
CONNECTIONS

Electrical diagram

Image:

OTHERS

Dimensions



Datasensing S.r.l.

Strada S.Caterina, 235
41122 Modena (MO)
Tel. 059 420411
Fax 059 253973
E-mail
info@datasensing.com

date of
printing
15/06/2026
10:27:54