

FC8

FC8U/0P-M307-1F

Ultrasonic slot labelling 3mm width
ULTRASONIC FORK SENSORS FOR LABELS DETECTION



OVERVIEW

- Ultrasonic fork sensor for transparent labels, any opaque material with connector M8 4-pole
- Teach-in models with dynamic and remote teach
- Ultrasonic technology
- Small size easy to locate; aluminum case
- NPN and PNP, LO/DO total configurable
- Width slit detection 3 mm; depth slit detection 69 mm
- Maximum switching frequency 1.500 Hz



TECHNICAL FEATURES

Detection properties

Nominal sensing distance	3mm
minimum detectable object	2mm
Si	Yes
Sensitivity adjustment	Yes
+/-50 μ m a 150m/min	+/-20 μ m at 120m/min

200 m/min

180 m/min

2mm

2mm

Outputs

Output type

PNP

Output Function

LO/DO selectable

Switching frequency

1.500Hz

Electrical data

Operating Voltage

12 - 24Vdc

No-Load supply current

$\leq 45\text{mA}$

Load current

100mA

Output voltage drop

$\leq 2\text{ V @ } I_L = 100\text{ mA}$

Max ripple content

$\leq 10\%$

Time delay before availability

300ms

Short-circuit protection

Yes

Reverse Polarity Protection

Yes

Emission

Ultrasonic

Mechanical data

Dimensions

Width slot detection 3mm - Depth slot detection 69mm

Housing material	Painted aluminum
Weight	160g
Connections	M8 plug 4 pin
Operating temperature	+ 5°C...+ 55°C
Storage temperature	- 20°C...+ 70°C
Width slot detection	3mm
Depth slot detection	69mm

Test/Approvals

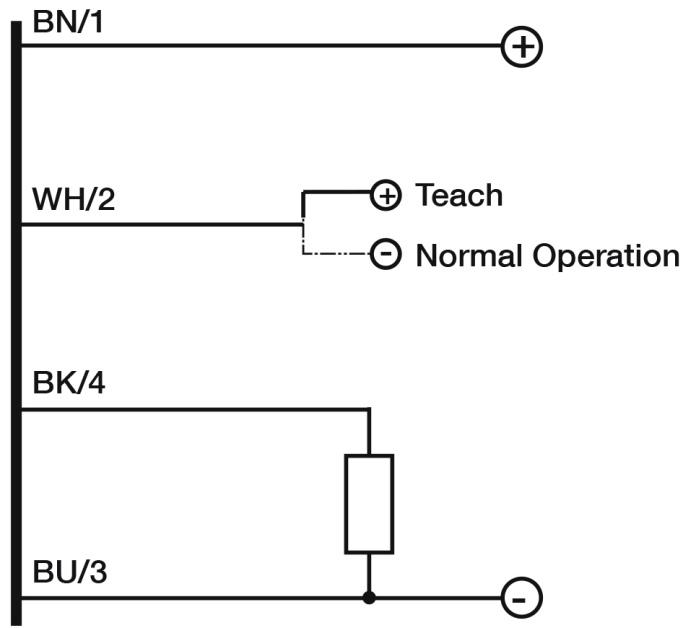
Approvals	CE UL
EMC compatibility	EN 60529
Degree of protection	IP65

Generical Data

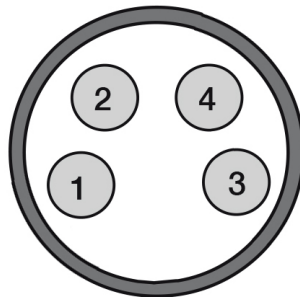
Dimensions	Width slot detection 3mm - Depth slot detection 69mm
Operating Temperature	+ 5°C...+ 55°C
Mechanical Protection	IP65

CONNECTIONS

Eletrical diagram

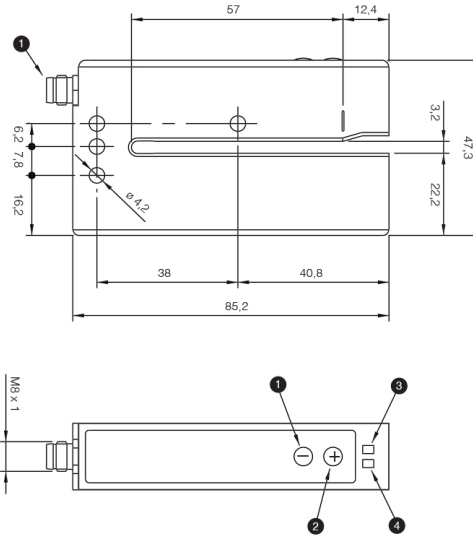


Connector



OTHERS

Dimensions



- ① button -
- ② button +
- ③ yellow LED, "ON" when the outputs are set to 1 (run)
- ④ red LED: keyboard lock and regulation

Datasensing S.r.l.

Strada S.Caterina, 235
41122 Modena (MO)
Tel. 059 420411
Fax 059 253973
E-mail
info@datasensing.com

**date of
printing**
19/06/2026
09:15:11