



# CD

## CD12M/VB-100C1

Connect.M12-F,4 poles-10m-LED,PVC,90°

## TECHNICAL FEATURES

### Electrical data

Nominal current	4 A
Led	2 (Supply - PNP output pin 4)
Wires	4
Rated impulse voltage	2,5 kV
Nominal voltage	Max. 250 V ac/dc

### Mechanical data

Connections	With open ended wires
Tightening torque	0,6 Nm
Operating temperature	=10°C...+80°C (flexible installation)-25°C...+80°C (fixed installation)
Fibre length (m)	10

Head type	90°
Plug	M12
Outer diameter	Ø 4,5 mm ± 5%
Jacket material	PVC CEI 2022 II OR
Wire isolation	PVC
Conductors section	0,25 mm <sup>2</sup> (32 x 0,10 mm <sup>2</sup> )
Model	

#### Test/Approvals

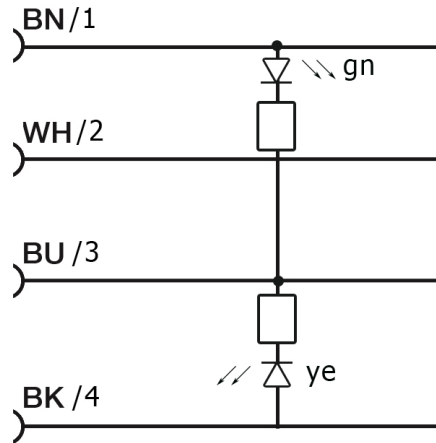
Degree of protection	IP67
----------------------	------

#### Generical Data

Operating Temperature	=10°C...+80°C (flexible installation)-25°C...+80°C (fixed installation)
Mechanical Protection	IP67

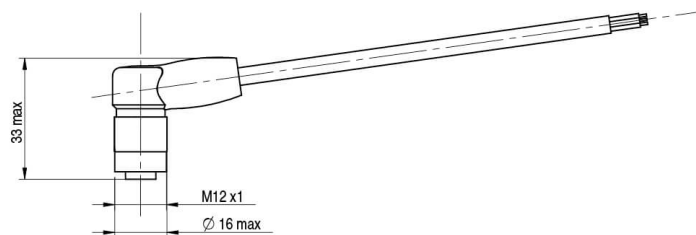
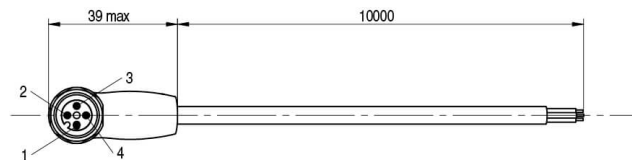
## CONNECTIONS

Electrical diagram



## OTHERS

### Dimensions



**Datasensing  
S.r.l.**

Strada S.Caterina, 235  
41122 Modena (MO)

**date of  
printing**  
13/06/2026  
13:30:21

Tel. 059 420411  
Fax 059 253973  
E-mail  
[info@datasensing.com](mailto:info@datasensing.com)