



# CD

## CD08/0B-100C1

Connect.M8-F,4 poles-10m,PVC,90°

## TECHNICAL FEATURES

### Electrical data

Nominal current	Max. 4 A
Led	
Wires	4
Rated impulse voltage	0,8 kV
Nominal voltage	Max. 50Vac / 60Vdc

### Mechanical data

Connections	
Tightening torque	0,6 Nm
Operating temperature	-10°C...+80°C (flexible installation) -25°C...+80°C (fixed installation)
Fibre length (m)	10

Head type	90°
Plug	M8
Outer diameter	Ø 4,7 mm ± 5%
Jacket material	PVC (CFC, cadmium, silicon, lead free) Flame retardant according to UL1581VW1/CSA FT1, self-extinguishing
Wire isolation	PVC (CFC, cadmium, silicon, lead free)
Bending radius	Wire for fixed installation: 5 x d Wire for flexible installation: 10 x d
Conductors section	0,25 mm <sup>2</sup> (14 x 0,15 mm <sup>2</sup> )
Model	

#### Test/Approvals

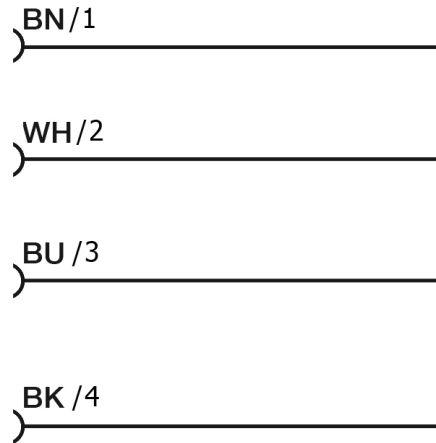
Degree of protection	IP67
----------------------	------

#### Generical Data

Operating Temperature	-10°C...+80°C (flexible installation) -25°C...+80°C (fixed installation)
Mechanical Protection	IP67

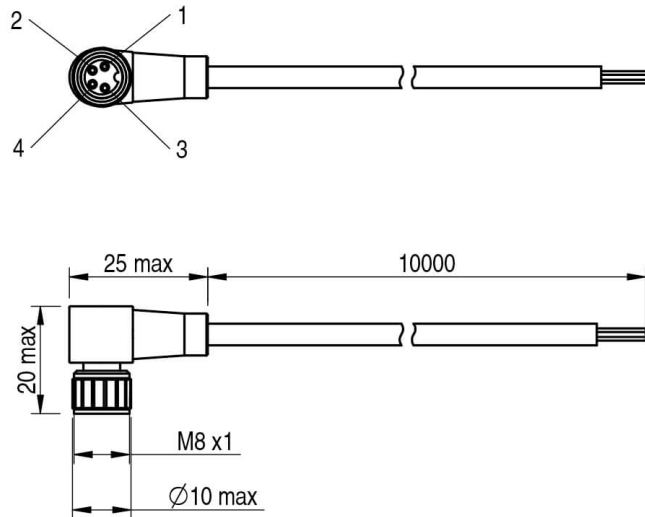
## CONNECTIONS

Electrical diagram



## OTHERS

### Dimensions



**Datasensing  
S.r.l.**

Strada S.Caterina, 235  
41122 Modena (MO)

**date of  
printing**  
13/06/2026  
13:42:51

Tel. 059 420411  
Fax 059 253973  
E-mail  
[info@datasensing.com](mailto:info@datasensing.com)