



CD

CD08/0A-100C1

Connect.M8-F,3 poles-10m,PVC,90°

TECHNICAL FEATURES

Electrical data

Nominal current	4 A
Led	no
Wires	3
Rated impulse voltage	0,8 kV
Nominal voltage	Max. 60 V ac/dc

Mechanical data

Connections	With open ended wires
Tightening torque	0,4 Nm
Operating temperature	-10°C...+80°C (flexible installation) -25°C...+80°C (fixed installation)
Fibre length (m)	10

Head type	90°
Plug	M8
Outer diameter	Ø 4,5 mm ± 5%
Jacket material	PVC
Wire isolation	PVC
Conductors section	0,25 mm ² (32 x 0,10 mm ²)
Model	

Test/Approvals

Degree of protection	IP67
----------------------	------

Generical Data

Operating Temperature	-10°C...+80°C (flexible installation) -25°C...+80°C (fixed installation)
Mechanical Protection	IP67

CONNECTIONS

Electrical diagram

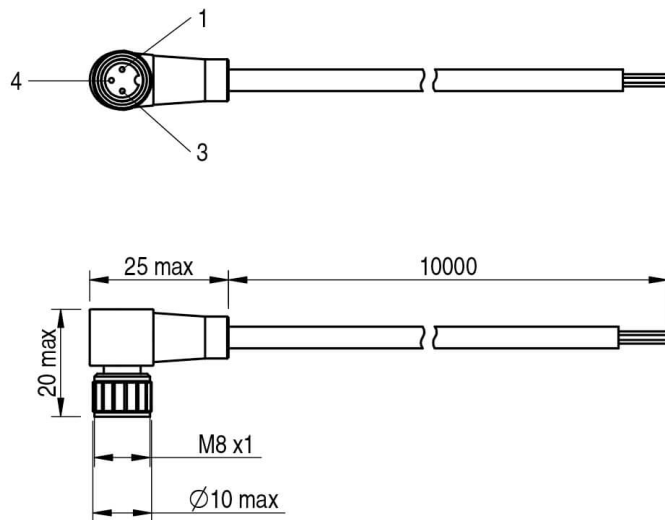
BN/1

BU/3

BK/4

OTHERS

Dimensions



**Datasensing
S.r.l.**

Strada S.Caterina, 235
41122 Modena (MO)

**date of
printing**
13/05/2026
21:11:13

Tel. 059 420411
Fax 059 253973
E-mail
info@datasensing.com