



# CD

## CD08/0A-020C5

Connect.M8-F,3 poles-2m,PUR,90°

## TECHNICAL FEATURES

### Electrical data

|                       |                 |
|-----------------------|-----------------|
| Nominal current       | 4 A             |
| Led                   | no              |
| Wires                 | 3               |
| Rated impulse voltage | 1,5 kV          |
| Nominal voltage       | Max. 60 V ac/dc |

### Mechanical data

|                       |   |
|-----------------------|---|
| Connections           | With open ended wires   |
| Tightening torque     | 0,4 Nm  |
| Operating temperature | -5°C...+80°C (flexible installation) -20°C...+80°C (fixed installation) |
| Fibre length (m)      | 2   |

|                    |   |
|--------------------|---|
| Head type          | 90°   |
| Plug               | M8  |
| Outer diameter     | Ø 3,75 mm ±0,2mm                                  |
| Jacket material    | PUR   |
| Wire isolation     | PVC   |
| Conductors section | 0,25 mm <sup>2</sup> (32 x 0,10 mm <sup>2</sup> ) |
| Model              |   |

#### Test/Approvals

|                      |      |
|----------------------|------|
| Degree of protection | IP67 |
|----------------------|------|

#### Generical Data

|                       |   |
|-----------------------|---|
| Operating Temperature | -5°C...+80°C (flexible installation) -20°C...+80°C (fixed installation) |
| Mechanical Protection | IP67  |

## CONNECTIONS

Electrical diagram

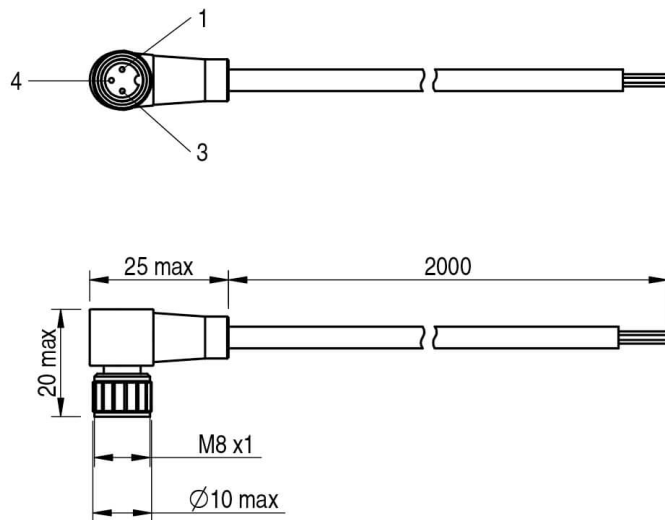
BN/1

BU/3

BK/4

# OTHERS

## Dimensions



**Datasensing  
S.r.l.**

Strada S.Caterina, 235  
41122 Modena (MO)

**date of  
printing**  
19/06/2026  
10:50:58

Tel. 059 420411  
Fax 059 253973  
E-mail  
[info@datasensing.com](mailto:info@datasensing.com)