



RL

RL 104

Plastic reflector ø46mm

EXCELLENT PERFORMANCES WITH INFRARED, RED LIGHT AND POLARIZED EMISSION

TECHNICAL FEATURES

Application

Description

Round plastic reflector

Usable with

Polarized and retroflective sensors

Mechanical data

Dimensions

Ø46

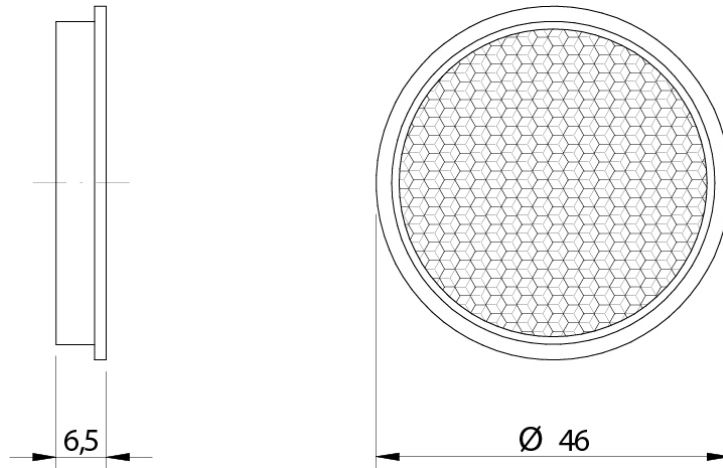
Generical Data

Dimensions

Ø46

OTHERS

Dimensions



**Datasensing
S.r.l.**

Strada S.Caterina, 235
41122 Modena (MO)
Tel. 059 420411
Fax 059 253973
E-mail
info@datasensing.com

**date of
printing**
24/06/2026
04:43:34