



# CF

## CF/RBA-20

Optical fibre,E+R,Axial,Plastic,2m  
PLASTIC OPTICAL FIBRES

## OVERVIEW

- Wide range of models: ultra slim for small object, long distances, spiral tube for handling
- Wide range of flexible fibre heads (with sleeve)
- Wide range of cutting fibre units
- P67 protection degree
- SSF – FS1 – FX3 – FX4 series connectable
- Approvals: CE

## TECHNICAL FEATURES

### Detection properties

Distance with SSF	1.200 mm
Distance with FS1	1.200 mm
Distance with FX3	8.000 mm
Distance with FX4	10.000 mm
Distance with F1R	4.000 mm

### Application

Function Principle	Emitter + Receiver
Description	Plastic optical fibres
Optic position	Axial

#### Mechanical data

Operating temperature	-40°C....+70°C (posa fissa)
Fibre length (m)	2
Ø optical fibre core	1 mm
Head shape	M7 with lenti
Optical fibre material	PE, plastic
Head material	nickel-plated brass

#### Test/Approvals

Degree of protection	IP67
----------------------	------

#### Accessories

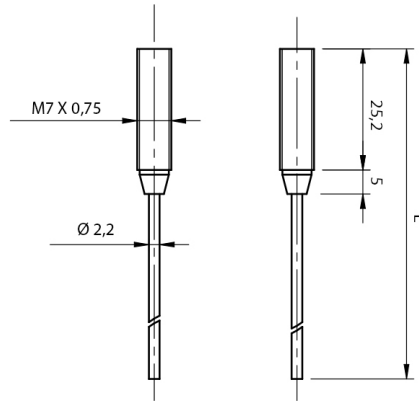
Accessories to be ordered separately	ST 28
--------------------------------------	-------

#### Generical Data

Operating Temperature	-40°C....+70°C (posa fissa)
Mechanical Protection	IP67

**OTHERS**

## Dimensions



### **Datasensing S.r.l.**

Strada S.Caterina, 235  
41122 Modena (MO)  
Tel. 059 420411  
Fax 059 253973  
E-mail  
[info@datasensing.com](mailto:info@datasensing.com)

**date of  
printing**  
13/06/2026  
11:47:52