



ST

ST 104

Horizontal protective bracket for QM

TECHNICAL FEATURES

Application

Description

Horizontal mounting bracket with protective cover for miniaturized rectangular sensor QM series

Installation

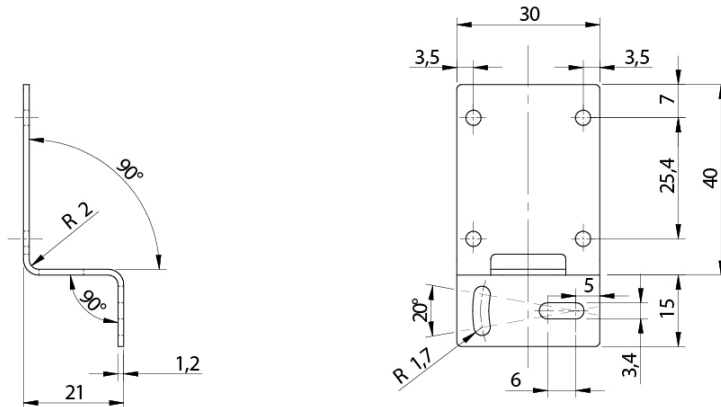
Rotation $\pm 10^\circ$ Steel

Functions

QM / QF sensors

OTHERS

Dimensions



**Datasensing
S.r.l.**

Strada S.Caterina, 235
41122 Modena (MO)
Tel. 059 420411
Fax 059 253973
E-mail
info@datasensing.com

**date of
printing**
09/04/2026
05:25:30