

# FC6

## FC6I/0B-0304-1F

Slot 30mm width 42mm depth ADJ  
PHOTOELECTRIC FORK FOR OBJECTS DETECTION WITH  
REGULATION

## OVERVIEW

- Simple and accurate adjustment manually by +/- buttons
- Infrared emission; LASER emission class 1
- Metal housing
- Light/Dark switching, selectable by button
- Minimum size object detection 0,2 mm (FC6I) and 0,05 mm (FC6L)
- -20...+60 °C temperature range
- M8 connectors (4pins): PNP/NPN, LO/DO
- Switching frequency 10 kHz



## TECHNICAL FEATURES

### Detection properties

Nominal sensing distance	30mm
minimum detectable object	0.2mm
Sensitivity adjustment	Teach-in

### Application

Function Principle	Photoelectric slot
--------------------	--------------------

### Outputs

Output type	NPN / PNP L/D Selectable
Output Function	L/D Selectable
Switching frequency	10kHz
Response time	50 $\mu$ s

### Electrical data

Operating Voltage	12...24VDC
No-Load supply current	$\leq 40$ mA
Load current	$\leq 100$ mA
Output voltage drop	$\leq 2$ V@Iload=100mA
Max ripple content	$\leq 10\%$
LED indicators	Yellow (status output), Red (adjustment or block keypad)
Time delay before availability	$\leq 200$ ms
Short-circuit protection	Yes
Reverse Polarity Protection	Yes
Emission	LED Infrared
Interference to external light	5000lux (incandescent lamp), 10000lux (sunlight)

## Mechanical data

Dimensions	Width slot detection 30mm - Depth slot detection 42mm
Housing material	Painted aluminium
Weight	66g
Connections	M8 plug 4pin
Active Head Material	Polyamide/glass
Operating temperature	- 20°C...+ 60°C
Storage temperature	- 30°C...+ 80°C
Width slot detection	30mm
Depth slot detection	42mm

## Test/Approvals

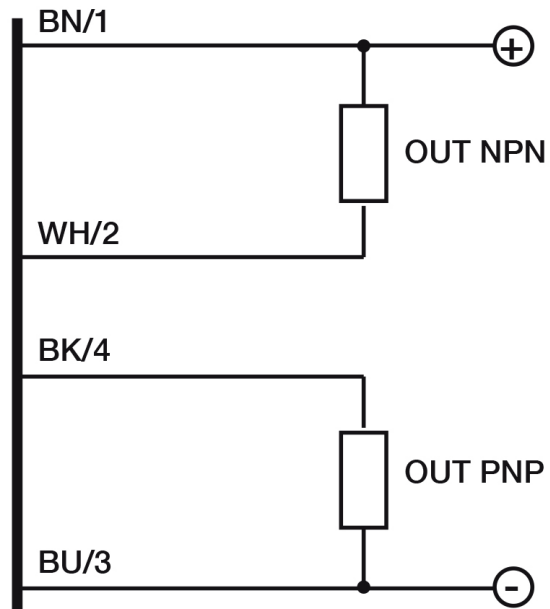
Approvals	CE UL
EMC compatibility	EN 60947-5-2
Degree of protection	IP65

## Generical Data

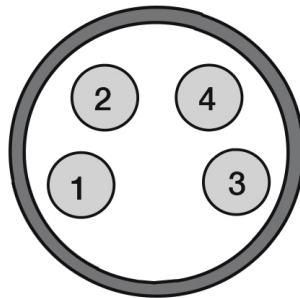
Dimensions	Width slot detection 30mm - Depth slot detection 42mm
Operating Temperature	- 10°C...+ 60°C (Without freeze)
Mechanical Protection	IP65

# CONNECTIONS

Electrical diagram

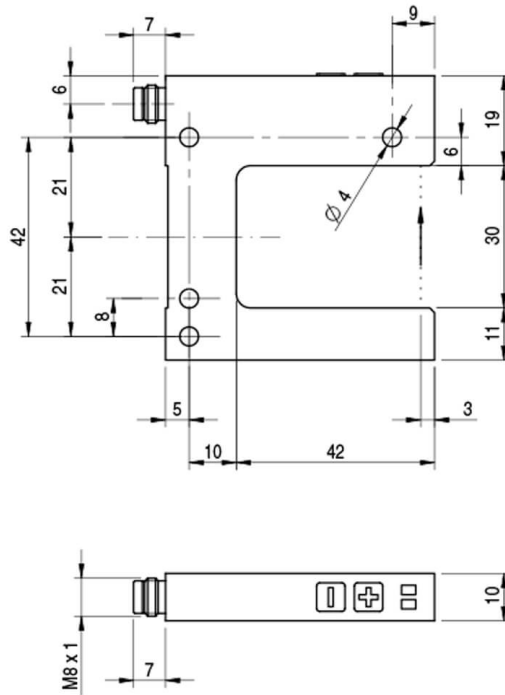


Connector



# OTHERS

Dimensions



**Datasensing  
S.r.l.**

Strada S.Caterina, 235  
 41122 Modena (MO)  
 Tel. 059 420411  
 Fax 059 253973  
 E-mail  
 info@datasensing.com

**date of  
printing**  
 13/06/2026  
 13:35:54