



FC7

FC7I/0B-M304-0F

Slot labelling 3mm width IR
PHOTOELECTRIC FORK SENSORS FOR LABELS
DETECTION

OVERVIEW

- Dynamic Teach-in or control panel and manual adjustment with “+/-” buttons
- Minimum object detection 2 mm (gap between labels), 2 mm (label size)
- Infrared emission
- Light/Dark switching, selectable by button
- Switching frequency 10 kHz
- M8 connectors (4 pins): PNP or NPN, LO/DO selectable
- -20 ...+60 °C temperature range



TECHNICAL FEATURES

Detection properties

Nominal sensing distance	3mm
minimum detectable object	2mm
Sensitivity adjustment	Teach-in
+/-50 µm a 150m/min	+/-50 µm at 150m/min
200 m/min	200 m/min

2mm

2mm

Application

Function Principle

Photoelectric slot

Outputs

Output type

NPN / PNP L/D Selectable

Output Function

L/D Selectable

Switching frequency

10Khz

Response time

50 μ s

Electrical data

Operating Voltage

12...24VDC

No-Load supply current

≤ 35 mA

Load current

≤ 100 mA

Output voltage drop

≤ 2 V@Iload=100mA

Max ripple content

≤ 10 %

LED indicators

Yellow (status output), Red (adjustment or block keypad)

Time delay before availability

≤ 200 ms

Reverse Polarity Protection

Yes

Emission

LED Infrared

Mechanical data

Dimensions	Width slot detection 3mm - Depth slot detection 42mm
Weight	35g
Housing Material	PA
Connections	M8 plug 4pin
Operating temperature	- 20°C...+ 60°C
Storage temperature	- 30°C...+ 80°C
Width slot detection	3mm
Depth slot detection	42mm

Test/Approvals

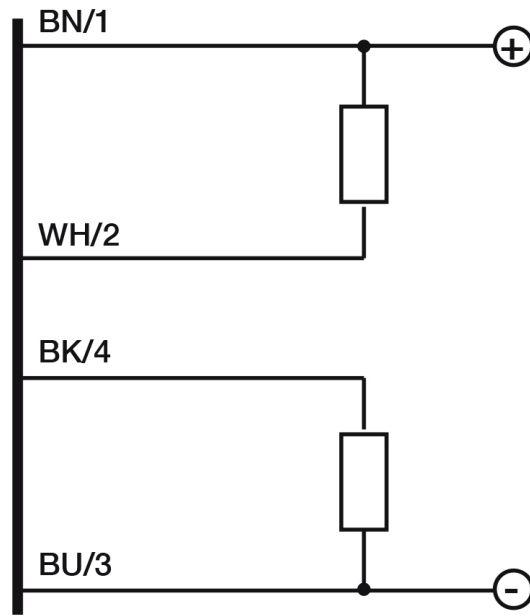
Approvals	CE UL
EMC compatibility	EN 60947-5-2
Degree of protection	IP65

Generical Data

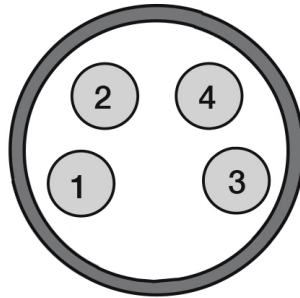
Dimensions	Width slot detection 3mm - Depth slot detection 42mm
Operating Temperature	- 20°C...+ 60°C (Without freeze)
Mechanical Protection	IP65

CONNECTIONS

Electrical diagram

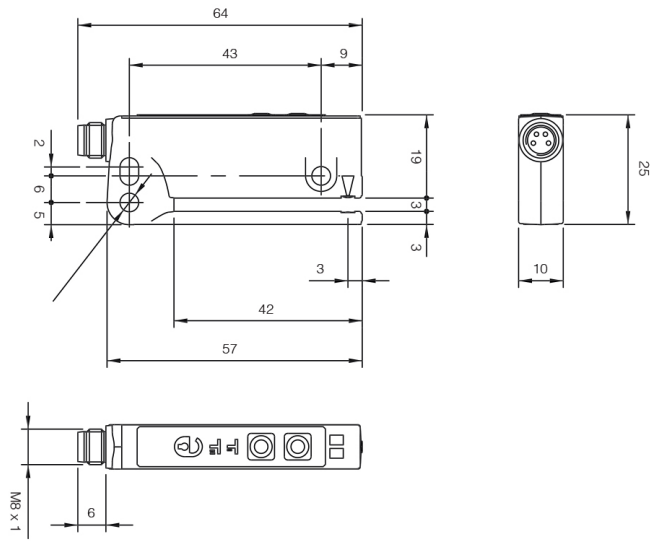


Connector



OTHERS

Dimensions



**Datasensing
S.r.l.**
 Strada S.Caterina, 235
 41122 Modena (MO)
 Tel. 059 420411
 Fax 059 253973
 E-mail
 info@datasensing.com

**date of
printing**
 11/05/2026
 17:22:15