

FC5



FC5R/DP-1812-1F

Slot 180mm width RED LED PNP
PHOTOELECTRIC FORK FOR OBJECTS DETECTION
WITHOUT REGULATION

OVERVIEW

- Plug and Play without adjustment
- High power RED LED emission
- Minimum size object detection 0,8 mm
- Metal housing
- Connettore M8 a 3 pins
- LED Indicator high visibility
- Switching frequency 4 KHz
- -10...+60 °C operating temperature range
- 3 wires: PNP or NPN, LO or DO



TECHNICAL FEATURES

Detection properties

Nominal sensing distance	180mm
minimum detectable object	1,2mm
Si	Yes
Sensitivity adjustment	No

Application

Function Principle	Photoelectric slot
--------------------	--------------------

Outputs

Output type	PNP Don
-------------	---------

Output Function	Don
-----------------	-----

Switching frequency	4kHz
---------------------	------

Response time	125 μ s
---------------	-------------

Electrical data

Operating Voltage	12...24VDC
-------------------	------------

No-Load supply current	≤ 20 mA
------------------------	--------------

Load current	≤ 100 mA
--------------	---------------

Output voltage drop	$\leq 1,5$ V@Iload=100mA
---------------------	--------------------------

Max ripple content	≤ 10 %
--------------------	-------------

LED indicators	Yellow (status output)
----------------	------------------------

Time delay before availability	≤ 200 ms
--------------------------------	---------------

Short-circuit protection	Yes
--------------------------	-----

Reverse Polarity Protection	Yes
-----------------------------	-----

Emission	LED Red
----------	---------

Interference to external light	5000lux (incandescent lamp), 10000lux (sunlight)
--------------------------------	--

Mechanical data

Dimensions	Width slot detection 180mm - Depth slot detection 124.3mm
------------	---

Weight	142g
--------	------

Housing Material	Painted aluminium
------------------	-------------------

Connections	M8 plug 3pin
-------------	--------------

Active Head Material	Polyamide/glass
----------------------	-----------------

Operating temperature	- 10°C...+ 60°C
-----------------------	-----------------

Storage temperature	- 40°C...+ 80°C
---------------------	-----------------

Width slot detection	180mm
----------------------	-------

Depth slot detection	120mm
----------------------	-------

Test/Approvals

Approvals	CE UL
-----------	-------

EMC compatibility	EN 60947-5-2
-------------------	--------------

Degree of protection	IP67
----------------------	------

Generical Data

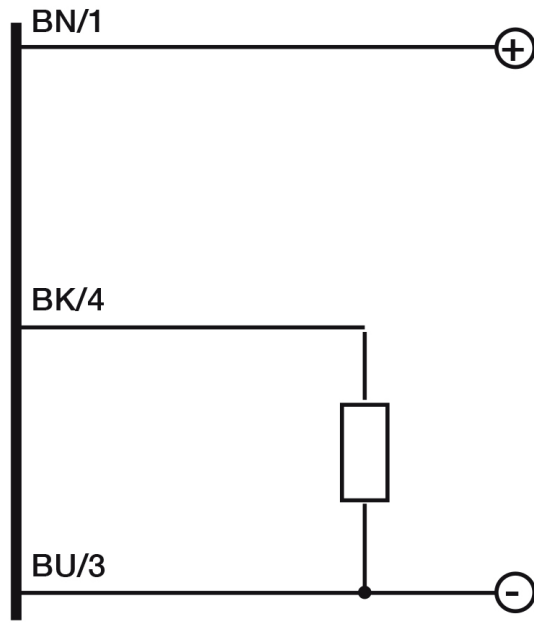
Dimensions	Width slot detection 180mm - Depth slot detection 124.3mm
------------	---

Operating Temperature	- 10°C...+ 60°C (Without freeze)
-----------------------	----------------------------------

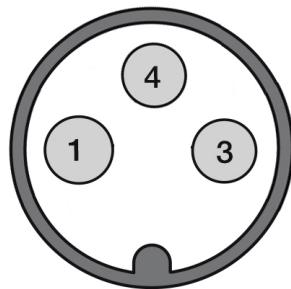
Mechanical Protection	IP67
-----------------------	------

CONNECTIONS

Electrical diagram

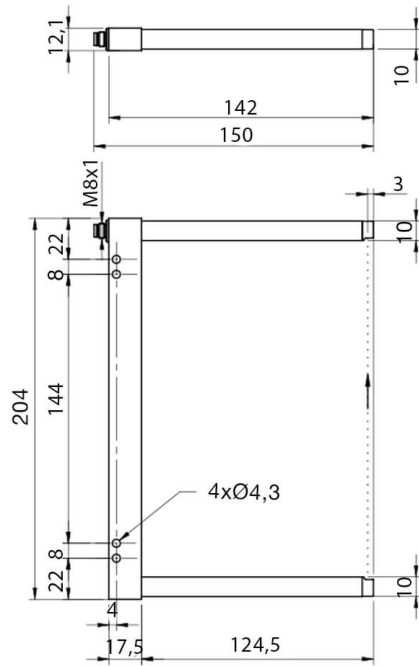


Connector



OTHERS

Dimensions



Datasensing S.r.l.

Strada S.Caterina, 235
41122 Modena (MO)
Tel. 059 420411
Fax 059 253973
E-mail
info@datasensing.com

**date of
printing**
04/04/2026
09:09:10