



FY

FY2/0P-0A

**Photo.DIN rail,PNP-NO/NC,Cable,Fiber
amp**

ADVANCED FIBER AMPLIFIERS

OVERVIEW



TECHNICAL FEATURES

Detection properties

Nominal sensing distance	Depending on optical fibres used
Repeat Accuracy	$\leq 5\%$
Sensitivity adjustment	Teach-in

Application

Function Principle	Optic fiber amplifier
Notes	Delay ON/OFF One Shot
Optic position	Axial

Outputs

Output type	NPN L/D Selectable
Output Function	L/D Selectable
Switching frequency	12,5 KHz(HIGH SPEED) 2 KHz (FINE) 500 Hz (SUPER) 31,25 Hz(MEGA)
Response time	40 μ s(HIGH SPEED) 250 μ s (FINE) 1ms (SUPER) 16ms(MEGA)

Electrical data

Operating Voltage	12...24VDC
No-Load supply current	≤ 50 mA
Load current	≤ 100 mA
Leakage current	≤ 10 μ A
Output voltage drop	$\leq 1,5$ V@Iload=100mA
Max ripple content	≤ 10 %
LED indicators	Red (output state) Red (Signal level -4 digits) Green (Threshold - 4 digits)
Time delay before availability	≤ 200 ms
Short-circuit protection	Yes
Reverse Polarity Protection	Yes
Emission	LED Red (680nm)
Interference to external light	20.000lux (incandescent lamp), 30.000lux (sunlight)

Mechanical data

Dimensions	71,8 x 30,3 x 9,8 mm
Housing material	PC
Weight	80 g (approx.)
Connections	2m PVC cable
Operating temperature	- 20°C...+ 55°C (without freeze)
Diameter/Dimension	Cubic

Test/Approvals

Approvals	CE
EMC compatibility	EN 60947-5-2
Degree of protection	IP64

Accessories

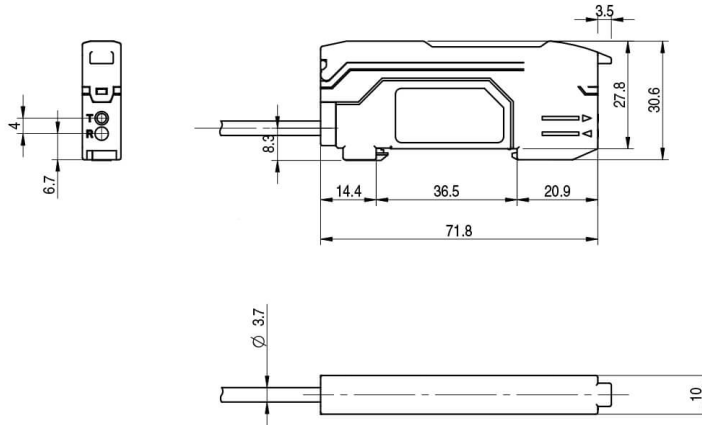
Supplied Accessories	DIN mounting bracket
----------------------	----------------------

Generical Data

Dimensions	71,8 x 30,3 x 9,8 mm
Operating Temperature	- 20°C...+ 55°C (Without freeze)
Mechanical Protection	IP64

OTHERS

Dimensions



Datasensing S.r.l.

Strada S.Caterina, 235
41122 Modena (MO)
Tel. 059 420411
Fax 059 253973
E-mail
info@datasensing.com

**date of
printing**
13/06/2026
03:58:32