



FX

FX3/0P-0F

Photo.DIN rail,PNP-NO/NC,M8 plug,Fiber amp

PHOTOELECTRIC SENSORS FOR DIN-RAIL MOUNTING

OVERVIEW

- Fibre-optic amplifier for DIN-rail mounting (DIN/EN 50022)
- Distance setting by means of teach in with additional manual fine adjustment (FX4)
- Distance setting by means of 12-turn potentiometer with illuminated scale (FX3)
- Adjustable pulse delay and stretching (FX4)
- High switching frequency: 1,5 kHz
- Ideal for stacking, thanks to 10 mm housing width
- Teach 1 (background), Teach 2 (target and background) (FX4)
- Large setting range of 20...200 mm

TECHNICAL FEATURES

Detection properties

Nominal sensing distance	Depending on optical fibres used
Operative range	
Thermal drift of Sr	
Sensitivity adjustment	Trimmer
Hysteresis	

Application

Function Principle	Optic fiber amplifier
--------------------	-----------------------

Optic position	Axial
----------------	-------

Outputs

Output type	PNP L/D Selectable
-------------	--------------------

Output Function	L/D Selectable
-----------------	----------------

Switching frequency	$\leq 1,5\text{Khz}$
---------------------	----------------------

Response time	$333\mu\text{s}$
---------------	------------------

Electrical data

Operating Voltage	10...30VDC
-------------------	------------

No-Load supply current	$\leq 15\text{mA}$
------------------------	--------------------

Load current	$\leq 200\text{mA}$
--------------	---------------------

Leakage current	$\leq 0,1\text{mA}$
-----------------	---------------------

Output voltage drop	$\leq 2\text{V}@I_{\text{load}}=200\text{mA}$
---------------------	---

Max ripple content	$\leq 10\%$
--------------------	-------------

LED indicators	Orange (output active); green (n.4 - received signal level); red (no received signal)
----------------	---

Time delay before availability	$\leq 200\text{ms}$
--------------------------------	---------------------

Short-circuit protection	
--------------------------	--

Reverse Polarity Protection	
-----------------------------	--

Emission	LED Red (660nm)
Interference to external light	5.000lux (incandescent lamp), 10.000lux (sunlight)
Impulsive Overvoltage Protection	

Mechanical data

Dimensions	
Weight	
Housing Material	PBTP
Connections	M8 plug 4pin
Operating temperature	
Diameter/Dimension	Cubic

Test/Approvals

Approvals	CE
EMC compatibility	EN 60947-5-2
Shocks and vibrations	
Degree of protection	IP64

Accessories

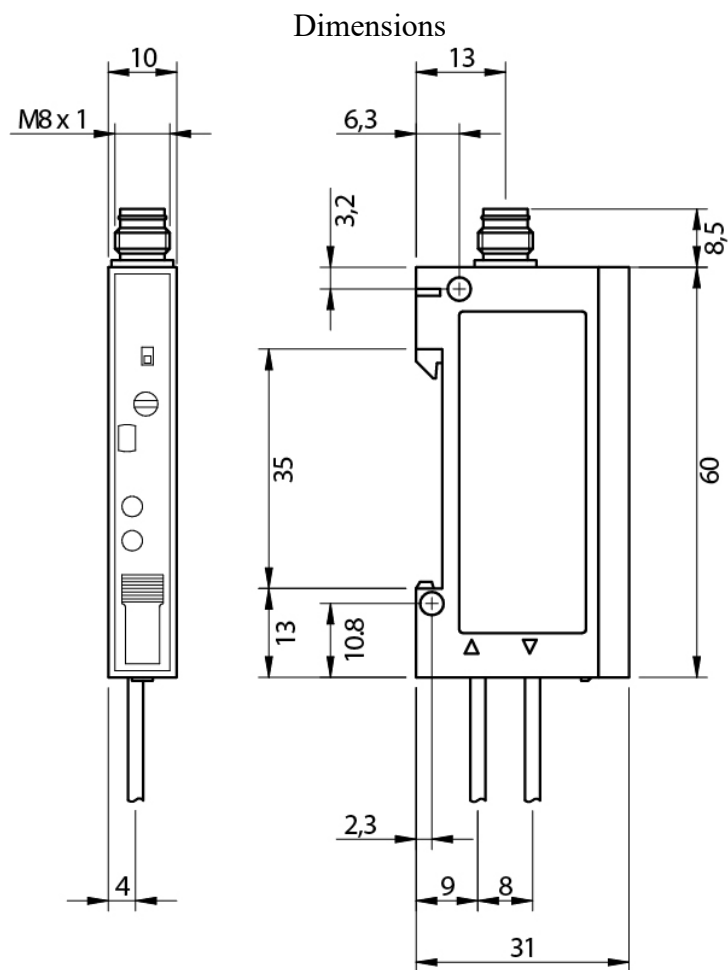
Supplied Accessories	DIN mounting bracket
----------------------	----------------------

Generical Data

--	--

Dimensions	80 x 31,1 x 10 mm
Operating Temperature	- 25°C...+ 55°C (Without freeze)
Mechanical Protection	IP64

OTHERS



Datasensing S.r.l.

Strada S.Caterina, 235
41122 Modena (MO)
Tel. 059 420411
Fax 059 253973
E-mail
info@datasensing.com

date of
printing
21/04/2026
19:19:00