



SSF

SSF/0N-1A

Photo.M18,NPN-NO/NC,Cable,Fiber ampli
M18 PHOTOELECTRIC SENSORS FOR OPTICAL FIBRES

OVERVIEW

- Models with sensitivity adjustment by teach-in button
- With range of optical fibres are available
- LED status indicator for all versions
- Complete protection against electrical damages
- Approvals: CE and cULus listed



TECHNICAL FEATURES

Detection properties

Nominal sensing distance	Depending on optical fibres used
Thermal drift of Sr	10 % Sr
Repeat Accuracy	5%
Sensitivity adjustment	Teach-in

Application

Function Principle	Optic fiber amplifier
Optic position	Axial
Outputs	
Output type	NPN L/D Selectable
Output Function	L/D Selectable
Switching frequency	800Hz
Response time	625 μ s
Electrical data	
Operating Voltage	10...30VDC
No-Load supply current	≤ 20 mA
Load current	≤ 100 mA
Leakage current	$\leq 10 \mu$ A
Output voltage drop	≤ 2 V@Iload=100mA
Max ripple content	≤ 10 %
LED indicators	Yellow (output status)
Time delay before availability	≤ 200 ms
Short-circuit protection	Yes
Reverse Polarity Protection	Yes
Emission	LED Red (660nm)

Interference to external light	3.000lux (incandescent lamp), 10.000lux (sunlight)
--------------------------------	--

Impulsive Overvoltage Protection	Yes
----------------------------------	-----

Mechanical data

Dimensions	M18 x 1 / L = 76mm
------------	--------------------

Weight	130 g
--------	-------

Housing Material	Nickel brass / PC cable exit
------------------	------------------------------

Connections	2m PVC cable
-------------	--------------

Active Head Material	Depending on optical fibres
----------------------	-----------------------------

Tightening torque	25Nm
-------------------	------

Operating temperature	- 25°C...+ 70°C (without freeze)
-----------------------	----------------------------------

Diameter/Dimension	M18
--------------------	-----

Test/Approvals

Approvals	CE cULus
-----------	----------

EMC compatibility	EN 60947-5-2
-------------------	--------------

Degree of protection	IP67
----------------------	------

Accessories

Supplied Accessories	nuts M18 x 1
----------------------	--------------

Generical Data

Dimensions

M18 x 1 / L = 76mm

Operating Temperature

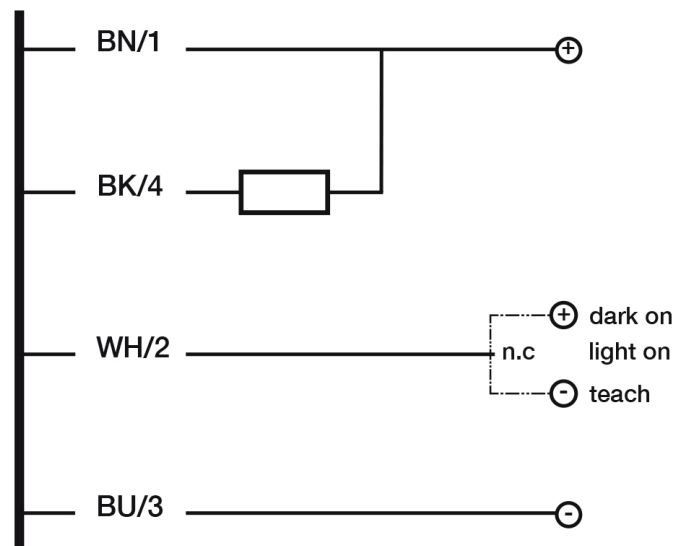
- 25°C...+ 70°C (Without freeze)

Mechanical Protection

IP67

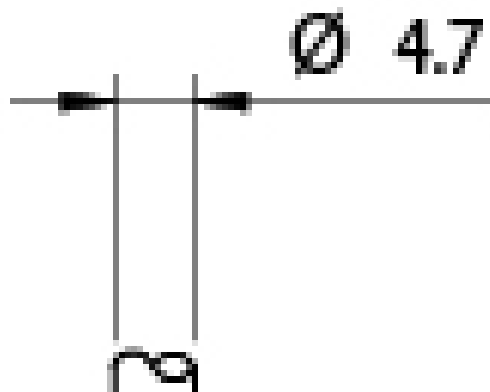
CONNECTIONS

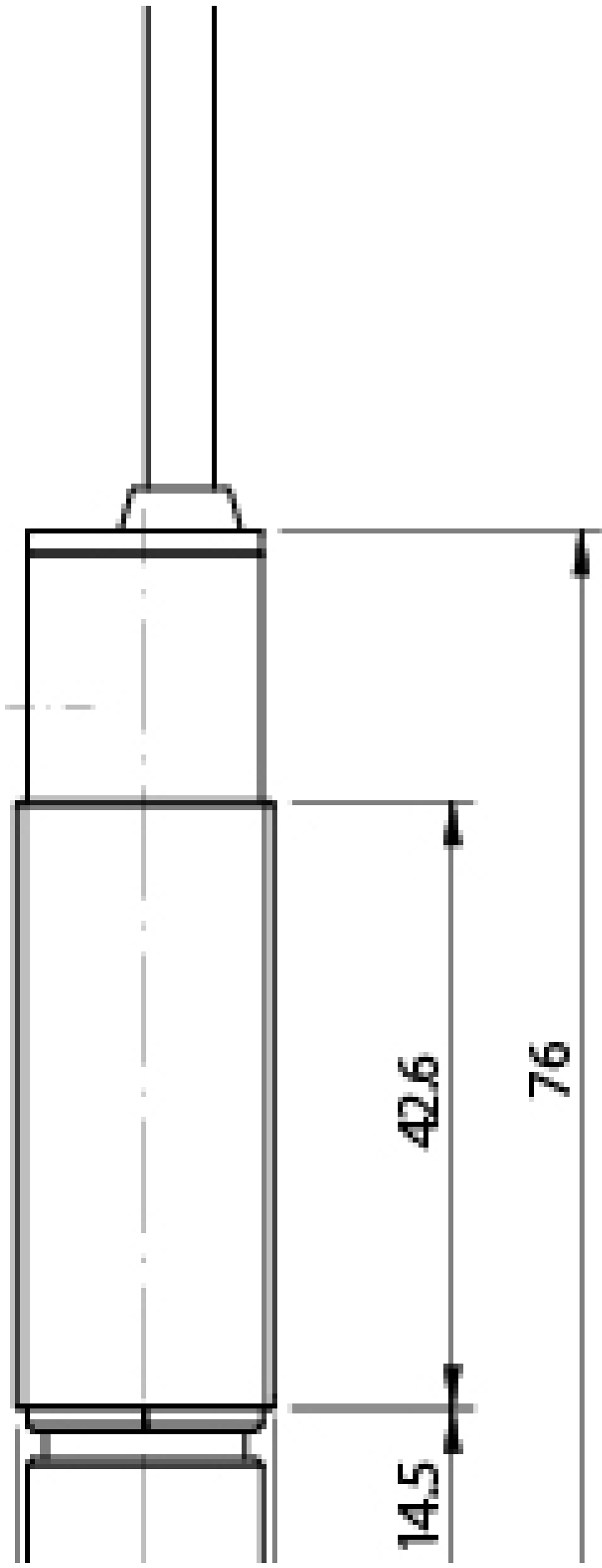
Electrical diagram

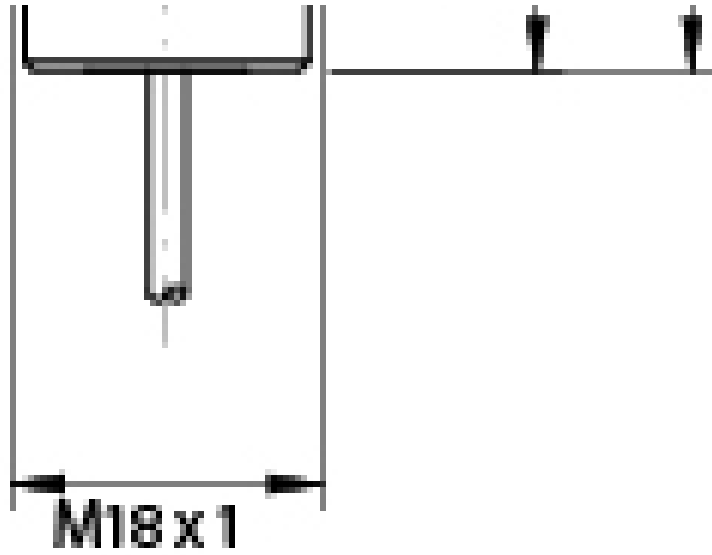


OTHERS

Dimensions







**Datasensing
S.r.l.**

Strada S.Caterina, 235
41122 Modena (MO)
Tel. 059 420411
Fax 059 253973
E-mail
info@datasensing.com

**date of
printing**
03/04/2026
23:18:45