



F1

F1R/0P-0A

Photo.DIN rail,PNP-NO/NC,Cable,Fiber
amp

PHOTOELECTRIC SENSORS FOR DIN-RAIL MOUNTING

OVERVIEW

- Models with trimmer sensitivity
- Models with Teach-In
- Double digital display
- High switching frequency
- Approvals: CE



TECHNICAL FEATURES

Detection properties

Nominal sensing distance	Depending on optical fibres used
Repeat Accuracy	≤ 5%
Sensitivity adjustment	8 turn trimmer

Application

Function Principle	Optic fiber amplifier
Optic position	Axial

Outputs

Output type	PNP L/D Selectable
Output Function	L/D Selectable
Switching frequency	2,5Khz
Response time	200 μ s max

Electrical data

Operating Voltage	12...24VDC
No-Load supply current	≤ 35 mA
Load current	≤ 50 mA
Leakage current	$< 10 \mu$ A
Output voltage drop	≤ 1 V@Iload=100mA
Max ripple content	$\leq 10\%$
LED indicators	Orange (output active); green (n.4 - received signal level); red (no received signal)
Time delay before availability	≤ 200 ms
Short-circuit protection	Yes
Reverse Polarity Protection	Yes
Emission	LED Red (680nm)
Interference to external light	10.000lux (incandescent lamp), 20.000lux (sunlight)

Mechanical data

Dimensions	10x31.5x64.3 mm
Housing material	PBT (housing); PC (cover)
Weight	70 g (approx.)
Connections	2m PVC cable
Operating temperature	- 25°C...+ 55°C (without freeze)
Storage temperature	- 30°C...+ 70°C (without freeze)
Diameter/Dimension	Cubic

Test/Approvals

Approvals	CE
EMC compatibility	EN 60947-5-2
Degree of protection	IP67

Accessories

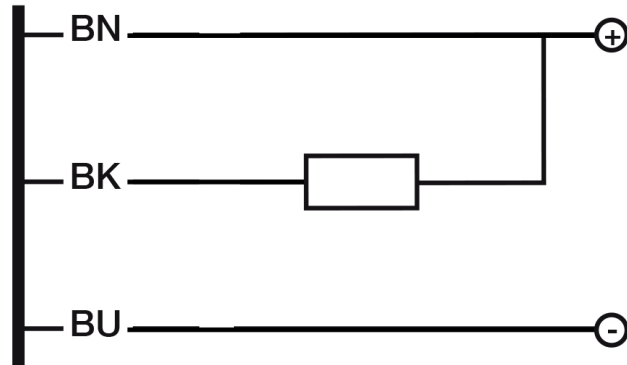
Supplied Accessories	DIN mounting bracket
----------------------	----------------------

Generical Data

Dimensions	10x31.5x64.3 mm
Operating Temperature	- 25°C...+ 55°C (without freeze)
Mechanical Protection	IP50

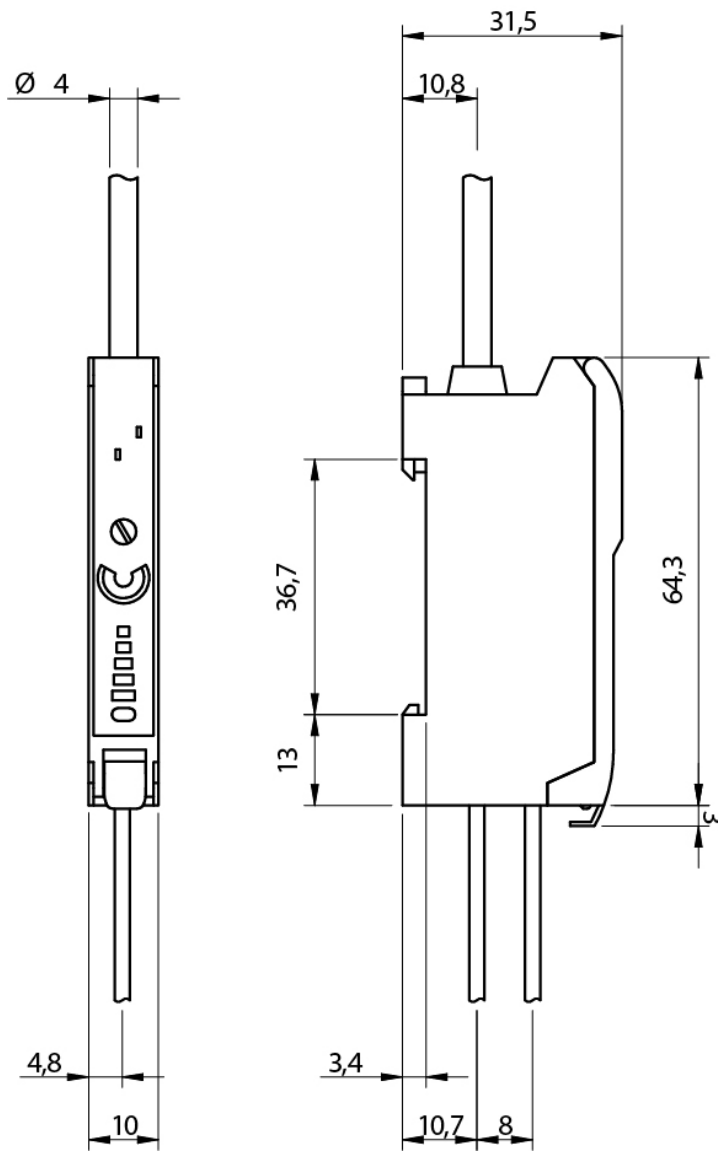
CONNECTIONS

Electrical diagram



OTHERS

Dimensions



**Datasensing
S.r.l.**

Strada S.Caterina, 235
41122 Modena (MO)
Tel. 059 420411
Fax 059 253973
E-mail
info@datasensing.com

**date of
printing**
15/05/2026
16:56:02