



LDLU+LDLV

LDLV/0P-1K

Photo.M30,PNP-NO/NC,M12 plug 90°,UV
SPECIAL PHOTOELECTRIC SENSORS M18 AND M30
LUMINESCENCE SCANNER - DC

OVERVIEW

- With white light emission and ultraviolet light emission
- Local and remote Teach-in function
- Multifunction LED status indicator
- LO/DO selectable outputs
- Delay selectable
- Complete protection against electrical damages
- IP65 protection degree
- Sensitivity adjustment
- Short response time (50 μ s)



TECHNICAL FEATURES

Detection properties

| | |
|--------------------------|-----------------|
| Nominal sensing distance | 30mm |
| Thermal drift of Sr | $\leq 10\%$ |
| Spot dimension | 3 x 1 mm @ 30mm |

Application

| | |
|--------------------|--------------|
| Function Principle | Luminescence |
|--------------------|--------------|

Outputs

| | |
|---------------------|--------------------|
| Output type | PNP L/D Selectable |
| Output Function | L/D Selectable |
| Switching frequency | 400Hz |
| Response time | 1,1 ms |

Electrical data

| | |
|--------------------------------|---|
| Operating Voltage | 10...30VDC |
| No-Load supply current | $\leq 20\text{mA}$ |
| Load current | $\leq 100\text{mA}$ |
| Leakage current | $\leq 10\mu\text{A}$ |
| Output voltage drop | $\leq 1,4\text{V}@I_{\text{load}}=100\text{mA}$ |
| Max ripple content | $\leq 10\%$ |
| LED indicators | Yellow (output status) |
| Time delay before availability | $\leq 200\text{ms}$ |
| Short-circuit protection | Yes |
| Reverse Polarity Protection | Yes |
| Emission | LED UV |
| Interference to external light | 3000 lux (incandescent lamp) 10000 lux (sunlight) |

| | |
|----------------------------------|-----|
| Impulsive Overvoltage Protection | Yes |
|----------------------------------|-----|

Mechanical data

| | |
|------------|-----|
| Dimensions | M30 |
|------------|-----|

| | |
|--------|------|
| Weight | 400g |
|--------|------|

| | |
|------------------|---------------------|
| Housing Material | nickel plated brass |
|------------------|---------------------|

| | |
|-------------|--------------|
| Connections | M12 plug 90° |
|-------------|--------------|

| | |
|----------------------|-------|
| Active Head Material | Glass |
|----------------------|-------|

| | |
|-------------------|------|
| Tightening torque | 50Nm |
|-------------------|------|

| | |
|-----------------------|---------------------------------|
| Operating temperature | -5°C ... +55°C (without freeze) |
|-----------------------|---------------------------------|

Test/Approvals

| | |
|-----------|----|
| Approvals | CE |
|-----------|----|

| | |
|-------------------|--------------|
| EMC compatibility | EN 60947-5-2 |
|-------------------|--------------|

| | |
|----------------------|------|
| Degree of protection | IP65 |
|----------------------|------|

Accessories

| | |
|----------------------|----------------|
| Supplied Accessories | nuts M30 x 1,5 |
|----------------------|----------------|

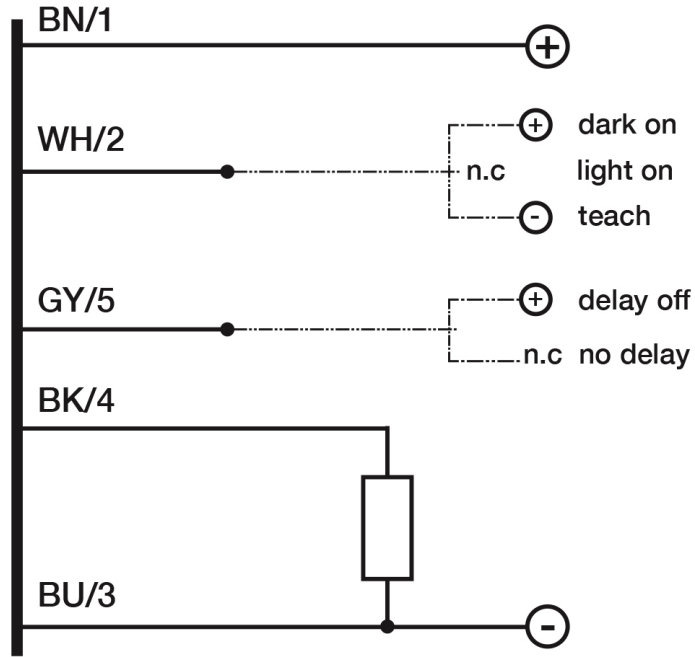
Generical Data

| | |
|------------|-----|
| Dimensions | M30 |
|------------|-----|

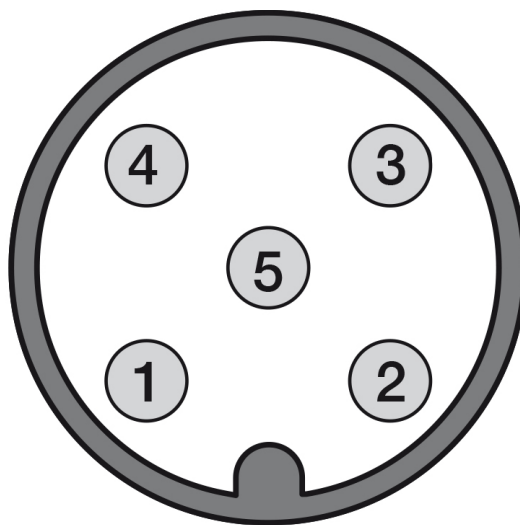
| | |
|-----------------------|----------------------------------|
| Operating Temperature | - 5°C...+ 55° C (Without freeze) |
|-----------------------|----------------------------------|

CONNECTIONS

Electrical diagram

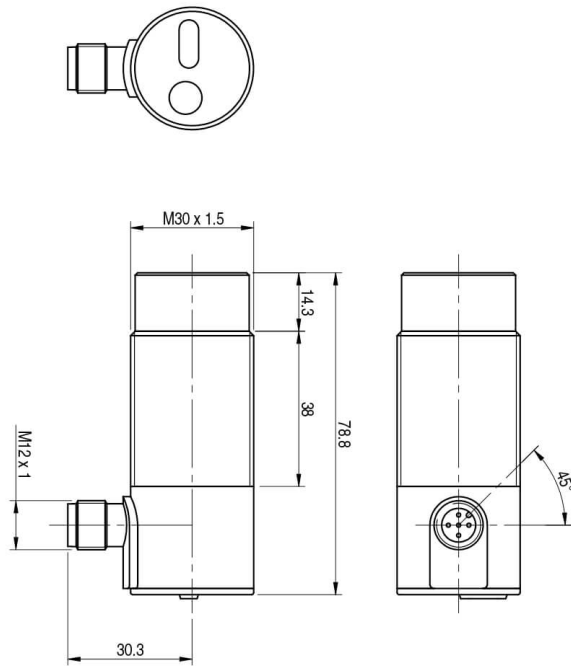


Connector



OTHERS

Dimensions



Datasensing S.r.l.

Strada S.Caterina, 235
41122 Modena (MO)
Tel. 059 420411
Fax 059 253973
E-mail
info@datasensing.com

date of
printing
04/04/2026
08:42:46