



LDLU+LDLV

LDLV/0N-1K

Photo.M30,NPN-NO/NC,M12 plug 90°,UV
SPECIAL PHOTOELECTRIC SENSORS M18 AND M30
LUMINESCENCE SCANNER - DC

OVERVIEW

- With white light emission and ultraviolet light emission
- Local and remote Teach-in function
- Multifunction LED status indicator
- LO/DO selectable outputs
- Delay selectable
- Complete protection against electrical damages
- IP65 protection degree
- Sensitivity adjustment
- Short response time (50 μ s)



TECHNICAL FEATURES

Detection properties

Nominal sensing distance	30mm
Thermal drift of Sr	$\leq 10\%$
Spot dimension	3 x 1 mm @ 30mm

Application

Function Principle	Luminescence
Outputs	
Output type	NPN L/D Selectable
Output Function	L/D Selectable
Switching frequency	400Hz
Response time	1,1 ms
Electrical data	
Operating Voltage	10...30VDC
No-Load supply current	$\leq 20\text{mA}$
Load current	$\leq 100\text{mA}$
Leakage current	$\leq 10\mu\text{A}$
Output voltage drop	$\leq 1,4\text{V}@I_{\text{load}}=100\text{mA}$
Max ripple content	$\leq 10\%$
LED indicators	Yellow (output status)
Time delay before availability	$\leq 200\text{ms}$
Short-circuit protection	Yes
Reverse Polarity Protection	Yes
Emission	LED UV
Interference to external light	3000 lux (incandescent lamp) 10000 lux (sunlight)

Impulsive Overvoltage Protection	Yes
----------------------------------	-----

Mechanical data

Dimensions	M30
------------	-----

Weight	400g
--------	------

Housing Material	nickel plated brass
------------------	---------------------

Connections	M12 plug 90°
-------------	--------------

Active Head Material	Glass
----------------------	-------

Tightening torque	50Nm
-------------------	------

Operating temperature	-5°C ... +55°C (without freeze)
-----------------------	---------------------------------

Test/Approvals

Approvals	CE
-----------	----

EMC compatibility	EN 60947-5-2
-------------------	--------------

Degree of protection	IP65
----------------------	------

Accessories

Supplied Accessories	nuts M30 x 1,5
----------------------	----------------

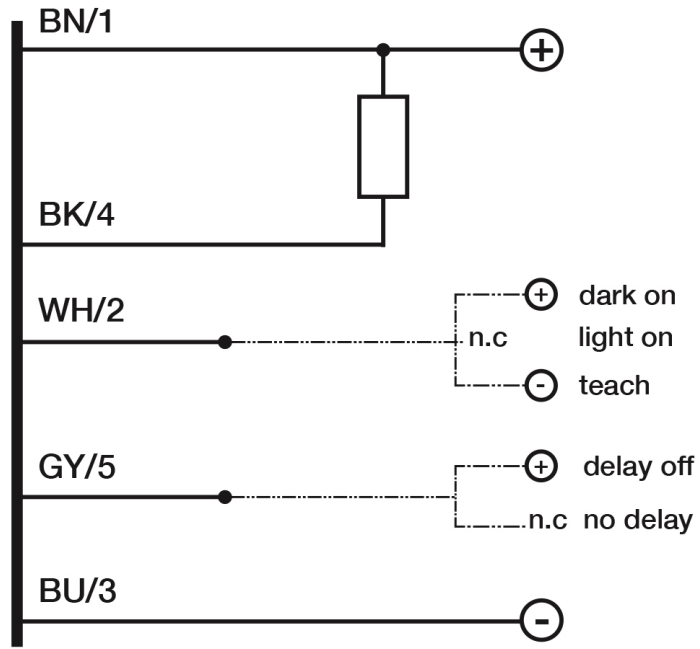
Generical Data

Dimensions	M30
------------	-----

Operating Temperature	- 5°C...+ 55° C (Without freeze)
-----------------------	----------------------------------

CONNECTIONS

Electrical diagram



Connector

