



LDLU+LDLV

LDLU/0P-0V

Photo.M18,PNP-NO/NC,M12 plug 90°,UV
SPECIAL PHOTOELECTRIC SENSORS M18 AND M30
LUMINESCENCE SCANNER - DC

OVERVIEW

- With white light emission and ultraviolet light emission
- Local and remote Teach-in function
- Multifunction LED status indicator
- LO/DO selectable outputs
- Delay selectable
- Complete protection against electrical damages
- IP65 protection degree
- Sensitivity adjustment
- Short response time (50 μ s)



TECHNICAL FEATURES

Detection properties

Nominal sensing distance	12mm (with STF-12) 25mm (with SFT-25)
Thermal drift of Sr	$\leq 10\%$
Spot dimension	\varnothing 1mm (with STF-12) \varnothing 0,8mm (with SFT-25)

Application

Function Principle	Luminescence
Notes	white target Kodak 90% 100 x 100mm

Outputs

Output type	PNP L/D Selectable
Output Function	L/D Selectable
Switching frequency	10Khz
Response time	50 μ s

Electrical data

Operating Voltage	10...30VDC
No-Load supply current	\leq 40mA
Load current	\leq 100mA
Leakage current	\leq 10 μ A
Output voltage drop	\leq 1,2V@Iload=100mA
Max ripple content	\leq 10%
LED indicators	Yellow (output status) Green(powerON)
Time delay before availability	\leq 200ms
Short-circuit protection	Yes
Reverse Polarity Protection	Yes
Emission	LED UV

Interference to external light	3000 lux (incandescent lamp) 10000 lux (sunlight)
Impulsive Overvoltage Protection	Yes

Mechanical data

Dimensions	M18
Housing Material	PBT
Connections	200mm PVC cable + M12 plug
Active Head Material	PMMA
Tightening torque	1Nm
Operating temperature	-5°C ... +55°C (without freeze)

Test/Approvals

Approvals	CE
EMC compatibility	EN 60947-5-2
Degree of protection	IP65

Accessories

Supplied Accessories	nuts M18 x 1
Accessories to be ordered separately	Focalizer STF-12 Focalizer STF-25

Generical Data

Dimensions	M18
------------	-----

Operating Temperature

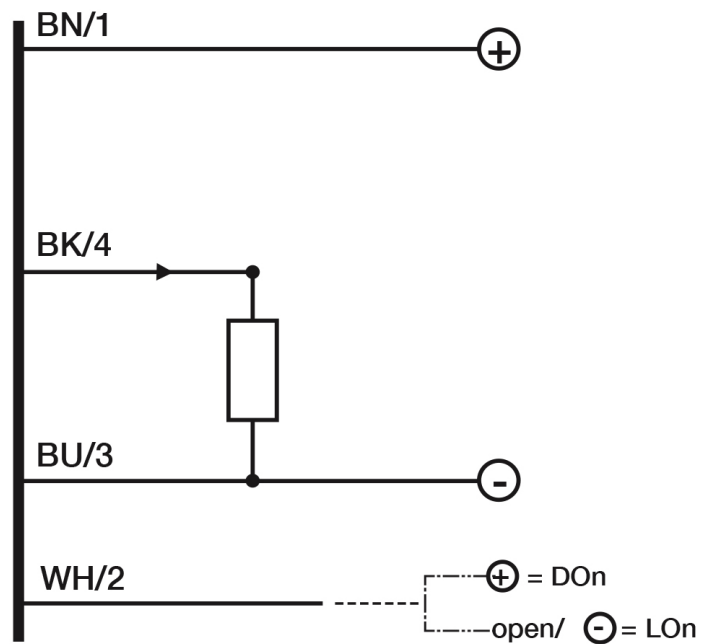
- 5°C...+ 55° C (Without freeze)

Mechanical Protection

IP65

CONNECTIONS

Electrical diagram

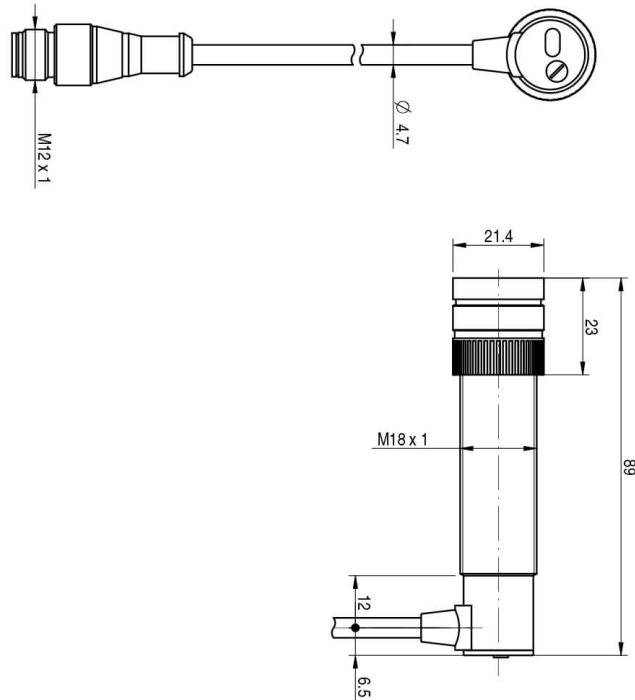


Connector



OTHERS

Dimensions



**Datasensing
S.r.l.**

Strada S.Caterina, 235
41122 Modena (MO)

**date of
printing**
05/05/2026
17:20:19

Tel. 059 420411
Fax 059 253973
E-mail
info@datasensing.com