



FG

FGRW/0P-0A

Photo.Midi,PNP-NO/NC,Cable,BGS

COMPACT PHOTOELECTRIC SWITCH SENSORS WITH
HIGH PERFORMANCES AND HIGH DETECTION DISTANCES

OVERVIEW

- Cable output or with revolving connector, NPN or PNP output (DC models) and SPDT voltage free relay output (AC models)
- Selectable LO/DO output status
- Totally protected against electrical damages
- Background suppressions models: 310 mm, 600 mm
- Reflex polarized sensitivity adjustment 12 m
- Emitter and Receiver with max detecting range of 50 m
- Double Multifunction LED indicator: output state and using the pointing
- Sensitive adjustment models



TECHNICAL FEATURES

Detection properties

Nominal sensing distance	600mm
--------------------------	-------

Sensitivity adjustment	Potentiometer 2 turns with position indicator
------------------------	---

Minimum sensing distance (blind zone)	110mm
---------------------------------------	-------

Application

Function Principle	Background suppression
Notes	white target Kodak 90% 100 x 100mm
Optic position	Axial

Outputs

Output type	PNP L/D Selectable
Output Function	L/D Selectable
Switching frequency	160Hz
Response time	3,125ms

Electrical data

Operating Voltage	10...30VDC
No-Load supply current	$\leq 35\text{mA}$
Load current	$\leq 100\text{mA}$
Output voltage drop	$\leq 1,8\text{V}@I_{\text{load}}=100\text{mA}$
Max ripple content	5Vpp
LED indicators	Green (powerON) Yellow (status output)
Time delay before availability	$\leq 200\text{ms}$
Short-circuit protection	Yes
Reverse Polarity Protection	Yes

Emission	LED Red
Interference to external light	10,000Lux (minimum sunlight), 3,000 min HF lamp
Impulsive Overvoltage Protection	Yes

Mechanical data

Dimensions	20x44,9x60mm
Material	
Housing material	ABS
Weight	160g
Connections	2m PVC cable
Active Head Material	PMMA
Operating temperature	-25°C...+55°C
Diameter/Dimension	Cubic

Test/Approvals

Approvals	CE UR
EMC compatibility	EN 60947-5-2
Shocks and vibrations	Vibration IEC 60068-2-6 / Shock IEC 60068-2-28
Degree of protection	IP67

Accessories

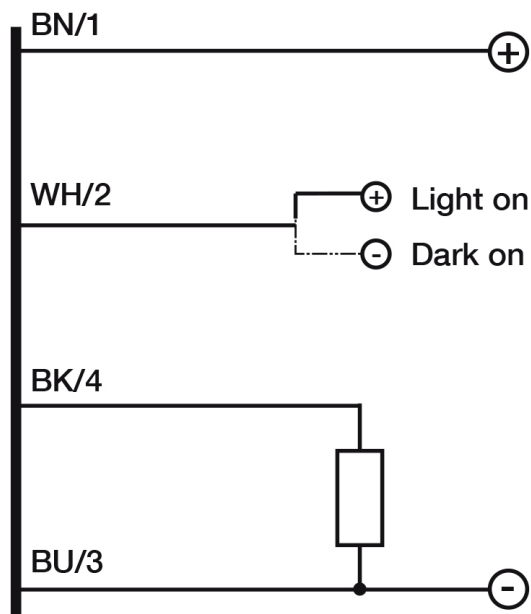
Supplied Accessories	Mounting bracket STFG 00
----------------------	--------------------------

Generical Data

Dimensions	20x44,9x60mm
Operating Temperature	- 25°C...+ 55°C (Without freeze)
Mechanical Protection	IP67

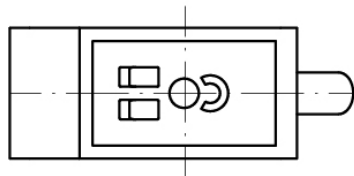
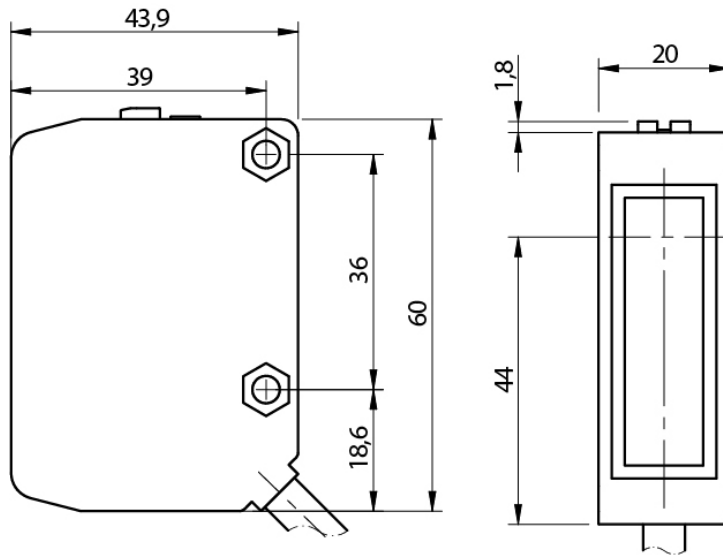
CONNECTIONS

Electrical diagram

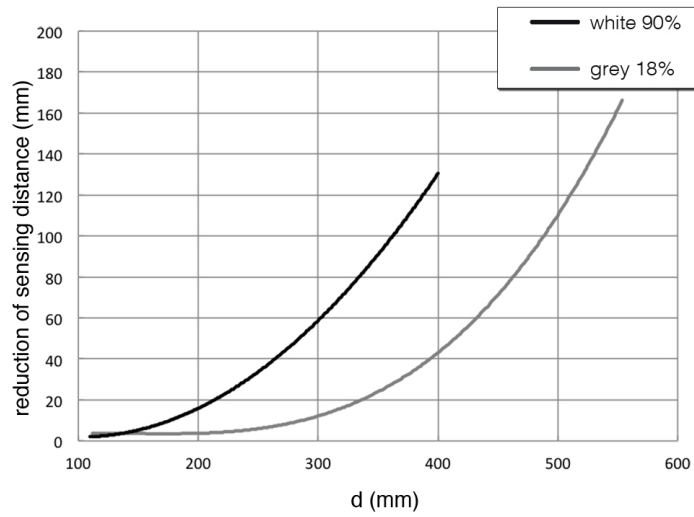


OTHERS

Dimensions



Response curves



Tel. 059 420411
Fax 059 253973
E-mail
info@datasensing.com