



# FG

## FGRS/DT-0A

**Photo.Midi,Relay-NO+NC,Cable,BGS**

**COMPACT PHOTOELECTRIC SWITCH SENSORS WITH  
HIGH PERFORMANCES AND HIGH DETECTION DISTANCES**

## OVERVIEW

- Cable output or with revolving connector, NPN or PNP output (DC models) and SPDT voltage free relay output (AC models)
- Selectable LO/DO output status
- Totally protected against electrical damages
- Background suppressions models: 310 mm, 600 mm
- Reflex polarized sensitivity adjustment 12 m
- Emitter and Receiver with max detecting range of 50 m
- Double Multifunction LED indicator: output state and using the pointing
- Sensitive adjustment models



## TECHNICAL FEATURES

### Detection properties

Nominal sensing distance	310mm
--------------------------	-------

Sensitivity adjustment	Potentiometer 2 turns with position indicator
------------------------	-----------------------------------------------

Minimum sensing distance (blind zone)	90mm
---------------------------------------	------

Application

Function Principle	Background suppression
Notes	white target Kodak 90% 100 x 100mm
Optic position	Axial

#### Outputs

Output type	Relay SPDT NO+NC
Output Function	NO+NC
Switching frequency	33Hz
Response time	15,15ms

#### Electrical data

Operating Voltage	24...240VDC/24...240VDC/50-60Hz
No-Load supply current	$\leq 2VA$
LED indicators	Green (powerON) Yellow (status output)
Time delay before availability	$\leq 200ms$
Short-circuit protection	Yes
Reverse Polarity Protection	Yes
Emission	LED Red
Interference to external light	10,000Lux (minimum sunlight), 3,000 min HF lamp
Impulsive Overvoltage Protection	Yes

## Mechanical data

Dimensions	20x44,9x60mm
Weight	160g
Housing Material	ABS
Connections	2m PVC cable
Active Head Material	PMMA
Operating temperature	-25°C...+55°C
Material	
Diameter/Dimension	Cubic

## Test/Approvals

Approvals	CE UR
EMC compatibility	EN 60947-5-2
Shocks and vibrations	Vibration IEC 60068-2-6 / Shock IEC 60068-2-28
Degree of protection	IP67

## Accessories

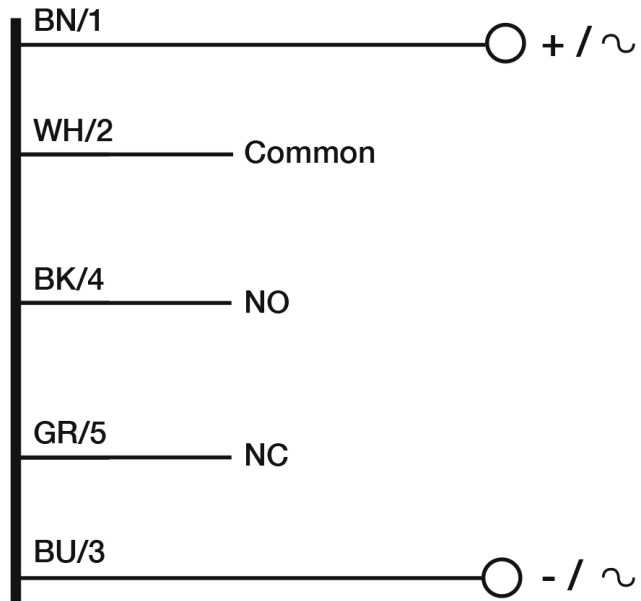
Supplied Accessories	Mounting bracket STFG 00
----------------------	--------------------------

## Generical Data

Dimensions	20x44,9x60mm
Operating Temperature	- 25°C...+ 55°C (Without freeze)

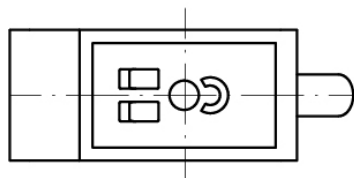
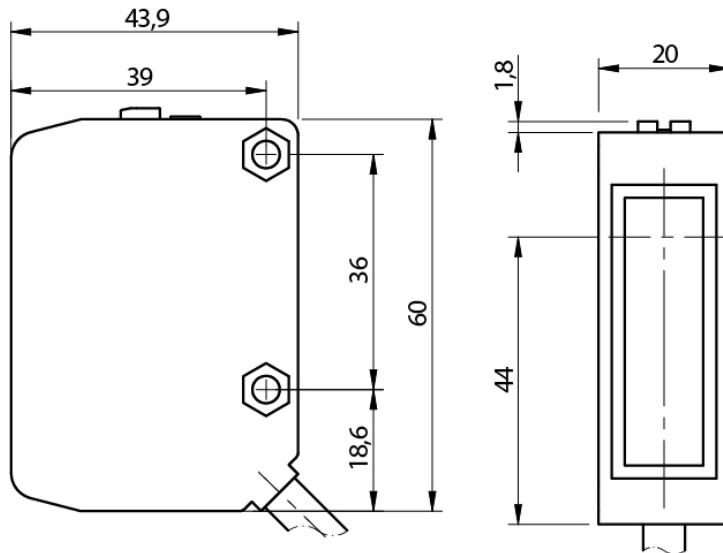
# CONNECTIONS

Electrical diagram

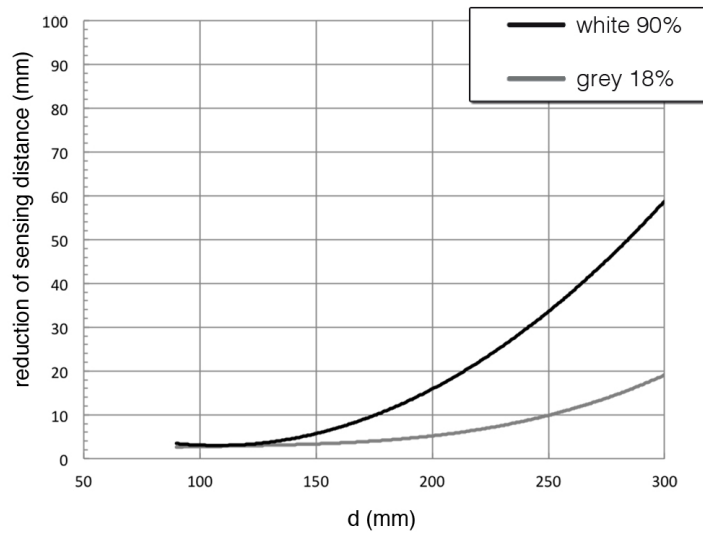


# OTHERS

Dimensions



Response curves



Tel. 059 420411  
Fax 059 253973  
E-mail  
[info@datasensing.com](mailto:info@datasensing.com)