



FG

FGRS/0P-0E

Photo.Midi,PNP-NO/NC,M12 plug,BGS
COMPACT PHOTOELECTRIC SWITCH SENSORS WITH
HIGH PERFORMANCES AND HIGH DETECTION DISTANCES

OVERVIEW

- Cable output or with revolving connector, NPN or PNP output (DC models) and SPDT voltage free relay output (AC models)
- Selectable LO/DO output status
- Totally protected against electrical damages
- Background suppressions models: 310 mm, 600 mm
- Reflex polarized sensitivity adjustment 12 m
- Emitter and Receiver with max detecting range of 50 m
- Double Multifunction LED indicator: output state and using the pointing
- Sensitive adjustment models



TECHNICAL FEATURES

Detection properties

Nominal sensing distance

310mm

Sensitivity adjustment

Potentiometer 2 turns with position indicator

Minimum sensing distance (blind zone)

90mm

Application

Function Principle	Background suppression
Notes	white target Kodak 90% 100 x 100mm
Optic position	Axial

Outputs

Output type	PNP L/D Selectable
Output Function	L/D Selectable
Switching frequency	160Hz
Response time	3,125ms

Electrical data

Operating Voltage	10...30VDC
No-Load supply current	$\leq 35\text{mA}$
Load current	$\leq 100\text{mA}$
Output voltage drop	$\leq 1,8\text{V}@I_{\text{load}}=100\text{mA}$
Max ripple content	5Vpp
LED indicators	Green (powerON) Yellow (status output)
Time delay before availability	$\leq 200\text{ms}$
Short-circuit protection	Yes
Reverse Polarity Protection	Yes

Emission	LED Red
Interference to external light	10,000Lux (minimum sunlight), 3,000 min HF lamp
Impulsive Overvoltage Protection	Yes

Mechanical data

Dimensions	20x44,9x60mm
Material	
Housing material	ABS
Weight	40g
Connections	M12 plug
Active Head Material	PMMA
Operating temperature	-25°C...+55°C
Diameter/Dimension	Cubic

Test/Approvals

Approvals	CE UR
EMC compatibility	EN 60947-5-2
Shocks and vibrations	Vibration IEC 60068-2-6 / Shock IEC 60068-2-28
Degree of protection	IP67

Accessories

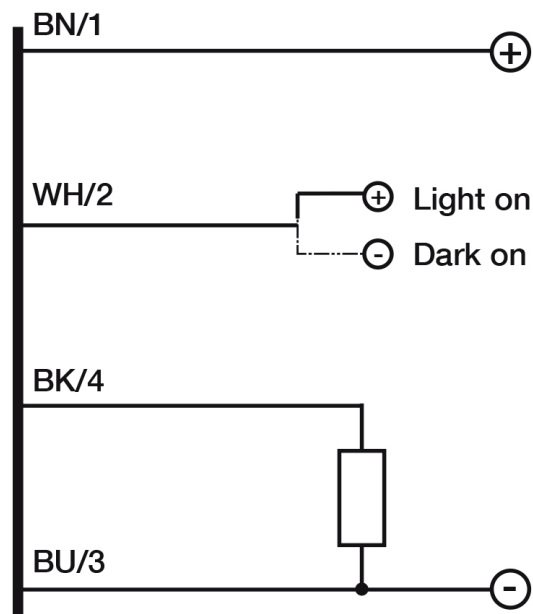
Supplied Accessories	Mounting bracket STFG 00
----------------------	--------------------------

Generical Data

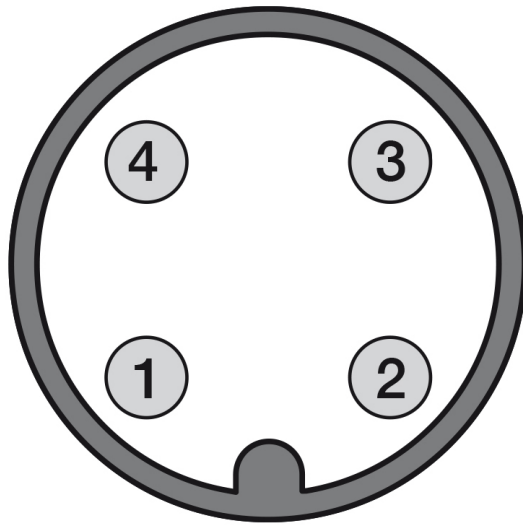
Dimensions	20x44,9x60mm
Operating Temperature	- 25°C...+ 55°C (Without freeze)
Mechanical Protection	IP67

CONNECTIONS

Electrical diagram

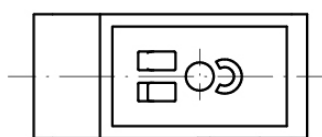
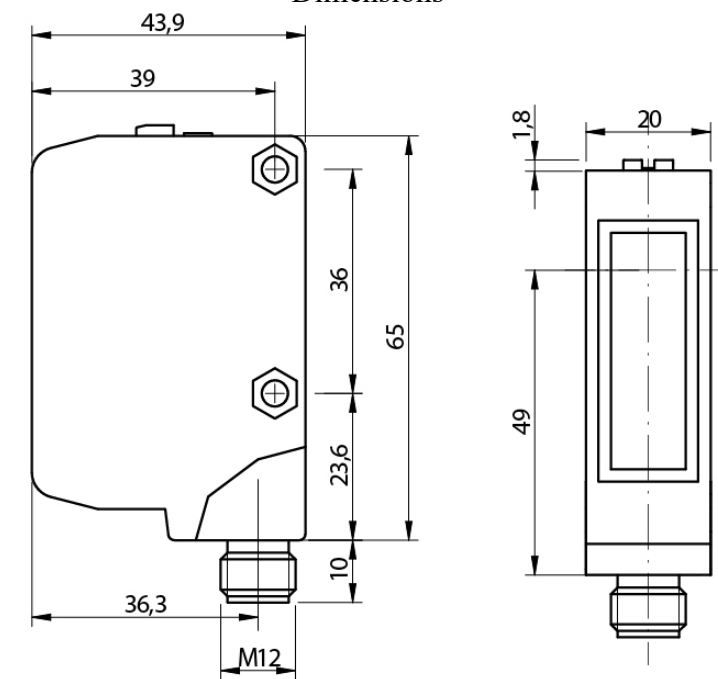


Connector

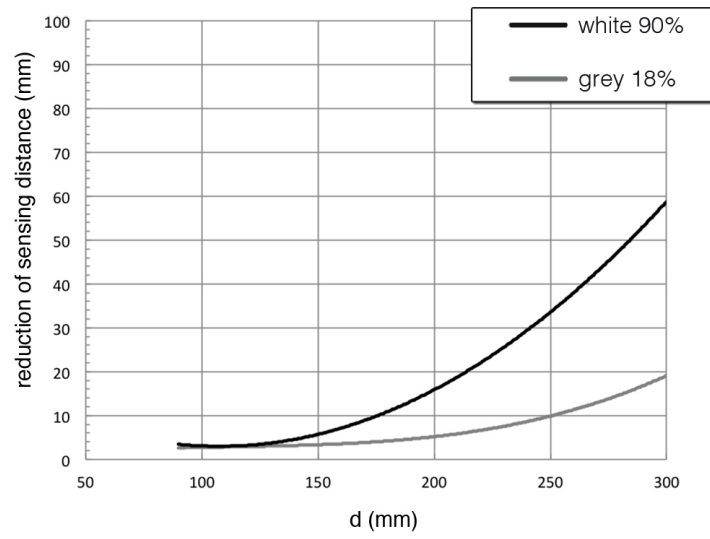


OTHERS

Dimensions



Response curves



**Datasensing
S.r.l.**

Strada S.Caterina, 235
41122 Modena (MO)
Tel. 059 420411
Fax 059 253973
E-mail
info@datasensing.com

**date of
printing**
15/06/2026
09:57:39