



FG

FGRN/0P-0E

Photo.Midi,PNP-NO/NC,M12 plug,Reflex
COMPACT PHOTOELECTRIC SWITCH SENSORS WITH
HIGH PERFORMANCES AND HIGH DETECTION DISTANCES

OVERVIEW

- Cable output or with revolving connector, NPN or PNP output (DC models) and SPDT voltage free relay output (AC models)
- Selectable LO/DO output status
- Totally protected against electrical damages
- Background suppressions models: 310 mm, 600 mm
- Reflex polarized sensitivity adjustment 12 m
- Emitter and Receiver with max detecting range of 50 m
- Double Multifunction LED indicator: output state and using the pointing
- Sensitive adjustment models



TECHNICAL FEATURES

Detection properties

Nominal sensing distance

12m

Sensitivity adjustment

Potentiometer 2 turns with position indicator

Application

Function Principle

Polarized

Notes	On RL123 reflector included
Optic position	Axial
Outputs	
Output type	PNP L/D Selectable
Output Function	L/D Selectable
Switching frequency	1Khz
Response time	500 μ s
Electrical data	
Operating Voltage	10...30VDC
No-Load supply current	≤ 35 mA
Load current	≤ 100 mA
Output voltage drop	$\leq 1,8$ V@Iload=100mA
Max ripple content	5Vpp
LED indicators	Green (powerON) Yellow (status output)
Time delay before availability	≤ 200 ms
Short-circuit protection	Yes
Reverse Polarity Protection	Yes
Emission	LED Red
Interference to external light	3,000Lux (incandescent lamp), 10,000 (sunlight)

Impulsive Overvoltage Protection	Yes
----------------------------------	-----

Mechanical data

Dimensions	20x44,9x60mm
------------	--------------

Material

Housing material	ABS
------------------	-----

Weight	40g
--------	-----

Connections	M12 plug
-------------	----------

Active Head Material	PMMA
----------------------	------

Operating temperature	-25°C...+55°C
-----------------------	---------------

Diameter/Dimension	Cubic
--------------------	-------

Test/Approvals

Approvals	CE UR
-----------	-------

EMC compatibility	EN 60947-5-2
-------------------	--------------

Shocks and vibrations	Vibration IEC 60068-2-6 / Shock IEC 60068-2-28
-----------------------	--

Degree of protection	IP67
----------------------	------

Accessories

Supplied Accessories	Mounting bracket STFG 00 and reflector RL 123
----------------------	---

Generical Data

Dimensions

20x44,9x60mm

Operating Temperature

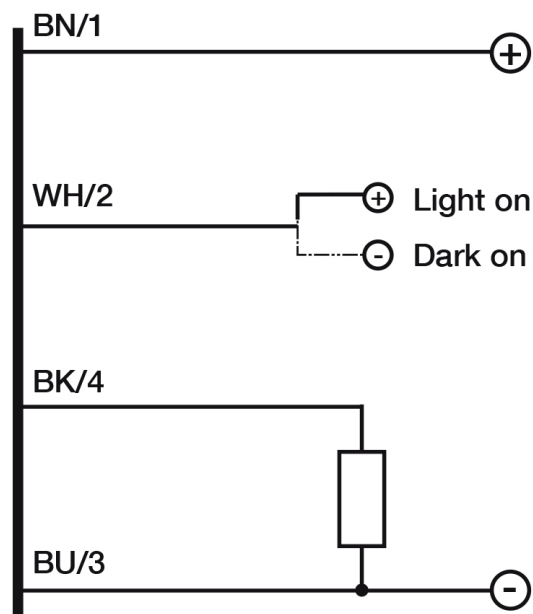
- 25°C...+ 55°C (Without freeze)

Mechanical Protection

IP67

CONNECTIONS

Electrical diagram

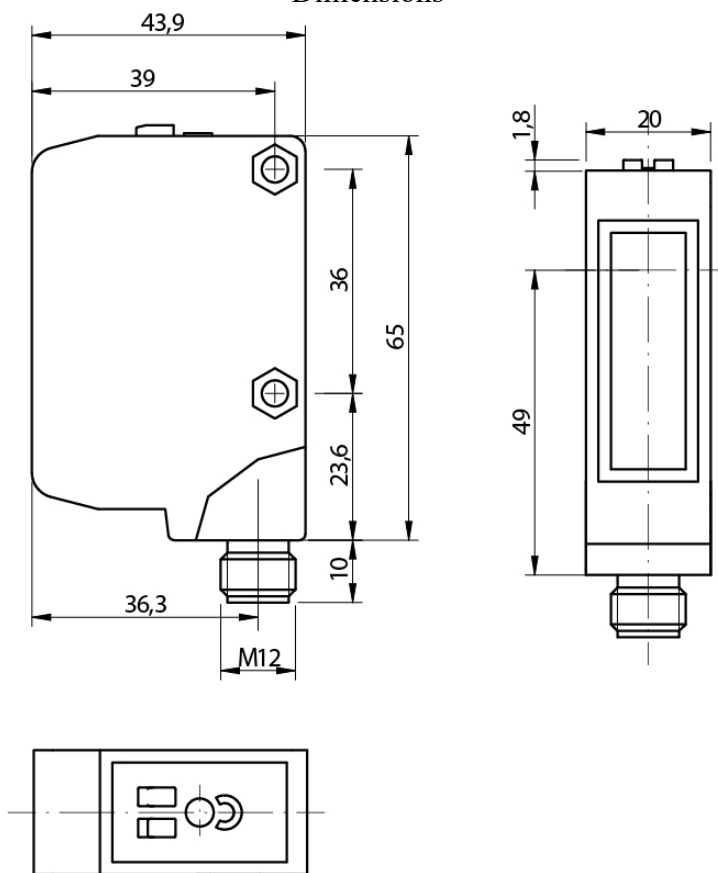


Connector

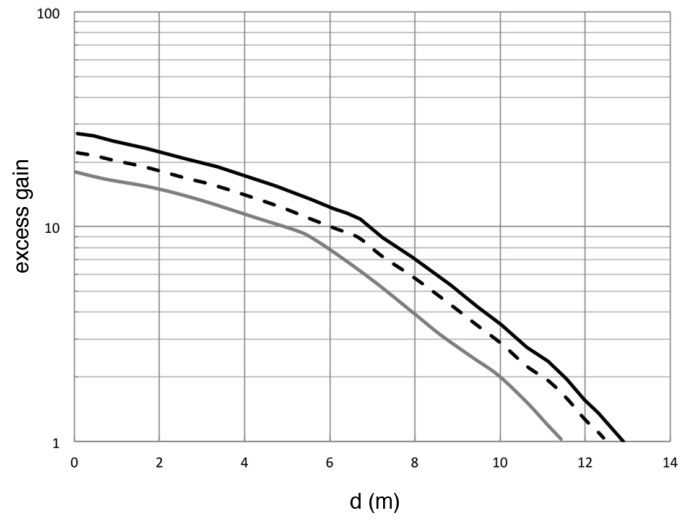


OTHERS

Dimensions



Response curves



**Datasensing
S.r.l.**

Strada S.Caterina, 235
41122 Modena (MO)
Tel. 059 420411
Fax 059 253973
E-mail
info@datasensing.com

**date of
printing**
15/06/2026
10:30:12