



FG

FGRHD/0N-0A

Photo.Midi,NPN-NO/NC,Cable,E + R
COMPACT PHOTOELECTRIC SWITCH SENSORS WITH
HIGH PERFORMANCES AND HIGH DETECTION DISTANCES

OVERVIEW

- Cable output or with revolving connector, NPN or PNP output (DC models) and SPDT voltage free relay output (AC models)
- Selectable LO/DO output status
- Totally protected against electrical damages
- Background suppressions models: 310 mm, 600 mm
- Reflex polarized sensitivity adjustment 12 m
- Emitter and Receiver with max detecting range of 50 m
- Double Multifunction LED indicator: output state and using the pointing
- Sensitive adjustment models



TECHNICAL FEATURES

Detection properties

Nominal sensing distance

50m

Sensitivity adjustment

Potentiometer 2 turns with position indicator (emitter)

Application

Function Principle

Emitter and Receiver

Optic position	Axial
Emitter Code	FGRH/00-0E
Receiver Code	FGRD/0P-0E

Outputs

Output type	NPN L/D Selectable
Output Function	L/D Selectable
Switching frequency	1Khz
Response time	500 μ s

Electrical data

Operating Voltage	10...30VDC
No-Load supply current	$\leq 35\text{mA}$ (emitter), $\leq 20\text{mA}$ (receiver)
Load current	$\leq 100\text{mA}$
Output voltage drop	$\leq 1,8\text{V}@I_{\text{load}}=100\text{mA}$
Max ripple content	
LED indicators	Green (powerON) Yellow (status output)
Time delay before availability	$\leq 200\text{ms}$
Short-circuit protection	Yes
Reverse Polarity Protection	Yes
Emission	LED Red

Interference to external light	10,000Lux (minimum sunlight), 3,000 min HF lamp
--------------------------------	---

Impulsive Overvoltage Protection	Yes
----------------------------------	-----

Mechanical data

Dimensions	20x44,9x60mm
------------	--------------

Weight	
--------	--

Housing Material	ABS
------------------	-----

Connections	2m PVC cable
-------------	--------------

Active Head Material	PMMA
----------------------	------

Operating temperature	-25°C...+55°C
-----------------------	---------------

Material	
----------	--

Diameter/Dimension	Cubic
--------------------	-------

Test/Approvals

Approvals	CE UR
-----------	-------

EMC compatibility	EN 60947-5-2
-------------------	--------------

Shocks and vibrations	Vibration IEC 60068-2-6 / Shock IEC 60068-2-28
-----------------------	--

Degree of protection	IP67
----------------------	------

Accessories

Supplied Accessories	Mounting bracket STFG 00
----------------------	--------------------------

Generical Data

Dimensions	20x44,9x60mm
------------	--------------

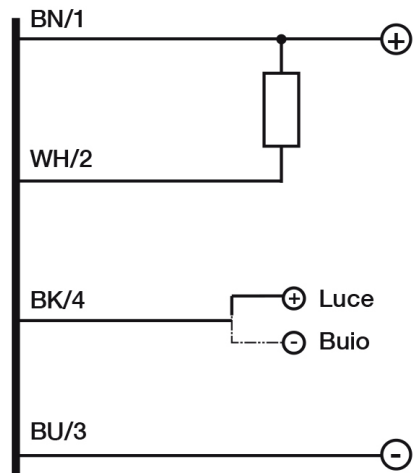
Operating Temperature	- 25°C...+ 55°C (Without freeze)
-----------------------	----------------------------------

Mechanical Protection	IP67
-----------------------	------

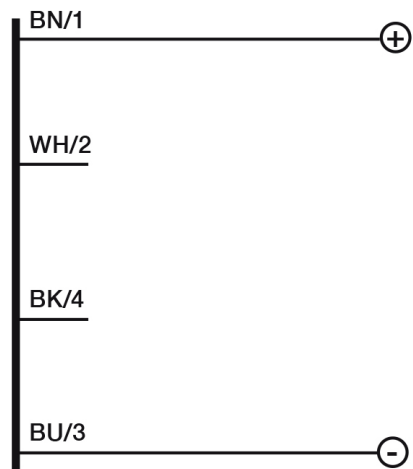
CONNECTIONS

Electrical diagram

FGRD/0N

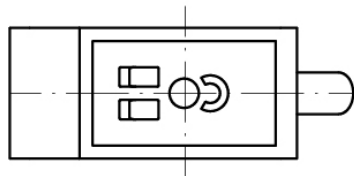
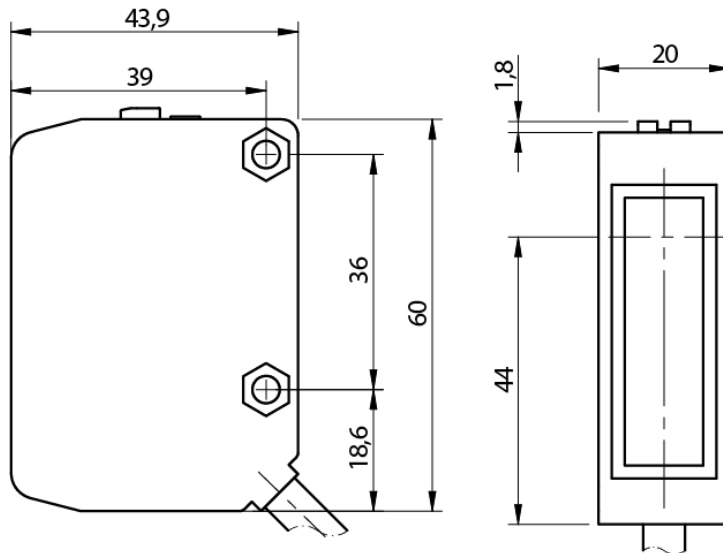


FGRH/00



OTHERS

Dimensions



**Datasensing
S.r.l.**

Strada S.Caterina, 235
41122 Modena (MO)
Tel. 059 420411
Fax 059 253973
E-mail
info@datasensing.com

**date of
printing**
04/04/2026
05:07:45