



BS-BV

BV6/00-0E

Photo.Midi,AC-NO/NC,M12 plug,Diffuse
CUBIC PHOTOELECTRIC SENSORS DECOU[®] OUTPUT - DC
OR AC

OVERVIEW

- Wide range of models: diffuse, retro-reflective, polarized
- Multifunctional DECOU[®] output and logic connection possibilities (DC types)
- Multivoltage 20-253 Vac and TRIAC output with NO/NC selectable (AC types)
- Sensitivity adjustment
- Standard cable exit or M12 plug exit
- LED status indicator
- Completely filled with resin
- High sensing range



TECHNICAL FEATURES

Detection properties

Nominal sensing distance	400mm
--------------------------	-------

Repeat Accuracy	≤ 5%
-----------------	------

Sensitivity adjustment	Trimmer
------------------------	---------

Application

Function Principle	Diffuse reflection (medium distance, ≤600mm)
--------------------	--

Optic position	Axial
----------------	-------

Outputs

Output type	TRIAC NO/NC
-------------	-------------

Output Function	NO/NC
-----------------	-------

Switching frequency	25Hz
---------------------	------

Response time	20ms
---------------	------

Electrical data

Operating Voltage	20...253VAC/50-60Hz
-------------------	---------------------

No-Load supply current	1,5W
------------------------	------

Load current	5...300mARMS
--------------	--------------

Leakage current	1,5m ARMS max (supply V=253Vac)
-----------------	----------------------------------

Output voltage drop	$\leq 2,5V @ I_{load}=300mARMS$
---------------------	---------------------------------

LED indicators	Red (output status)
----------------	---------------------

Time delay before availability	200ms
--------------------------------	-------

Short-circuit protection	Yes
--------------------------	-----

Reverse Polarity Protection	Yes
-----------------------------	-----

Emission	LED Infrared (880nm)
----------	----------------------

Interference to external light	3000lux Incandescent Lamp, 10000lux
--------------------------------	-------------------------------------

Mechanical data

Dimensions	16x37x64
Material	
Housing material	ABS
Weight	185g
Connections	M12 plug 90°
Active Head Material	PMMA
Operating temperature	- 25°C...+ 70°C (without freeze)
Diameter/Dimension	Cubic

Test/Approvals

Approvals	CE
EMC compatibility	EN 60947-5-2
Shocks and vibrations	Vibration IEC 60068-2-6 / Shock IEC 60068-2-47
Degree of protection	IP65

Accessories

Supplied Accessories	ST01 mounting brackets and screws
----------------------	-----------------------------------

Generical Data

Dimensions	16x37x64
------------	----------

Operating Temperature

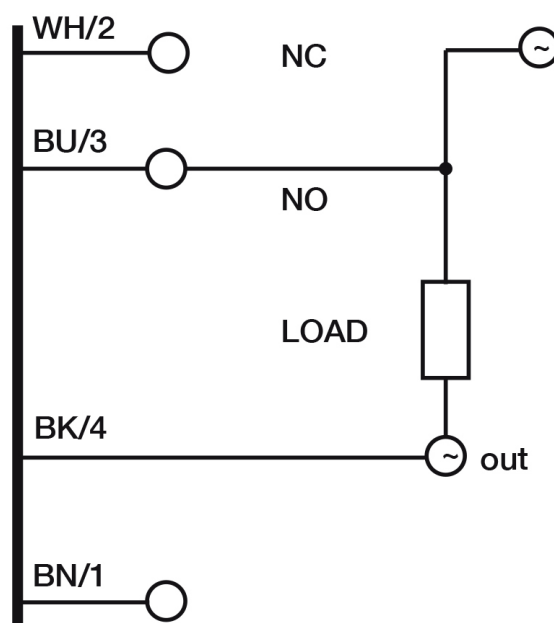
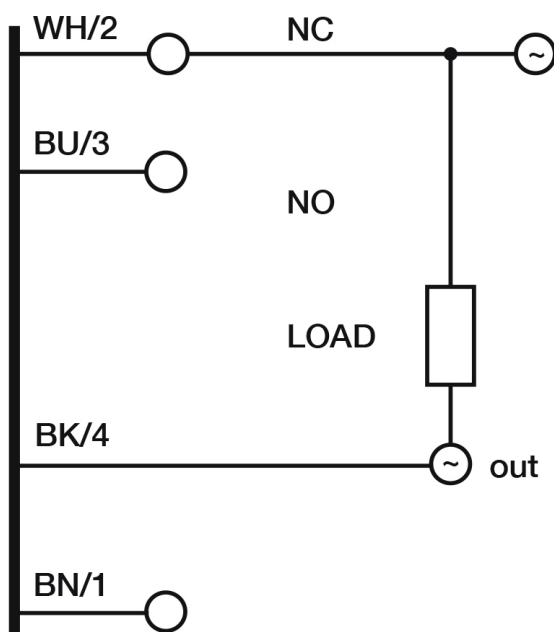
- 25°C...+ 70°C (Without freeze)

Mechanical Protection

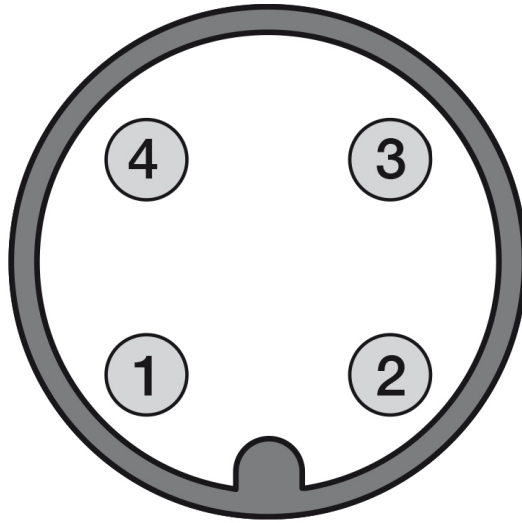
IP65

CONNECTIONS

Electrical diagram

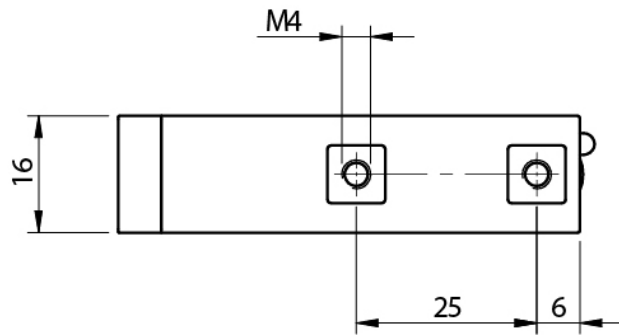
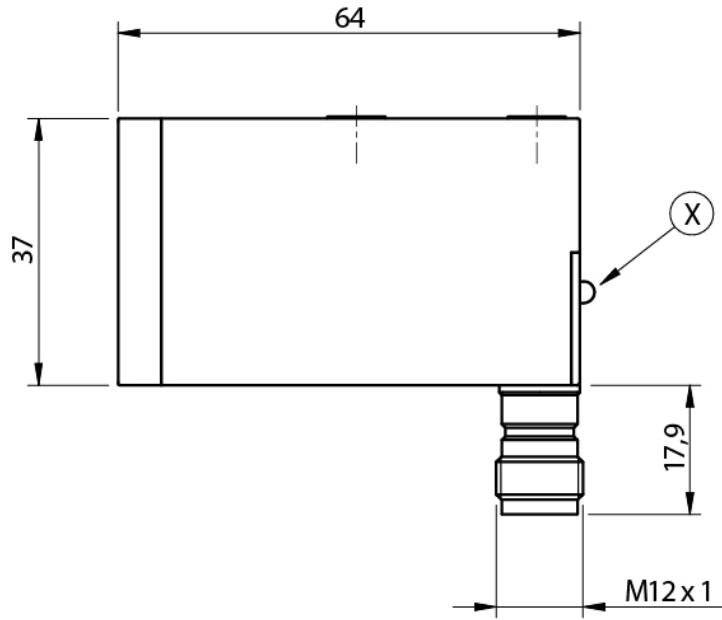
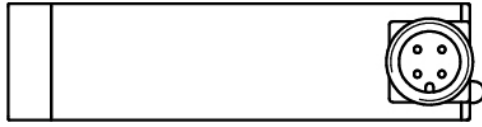


Connector

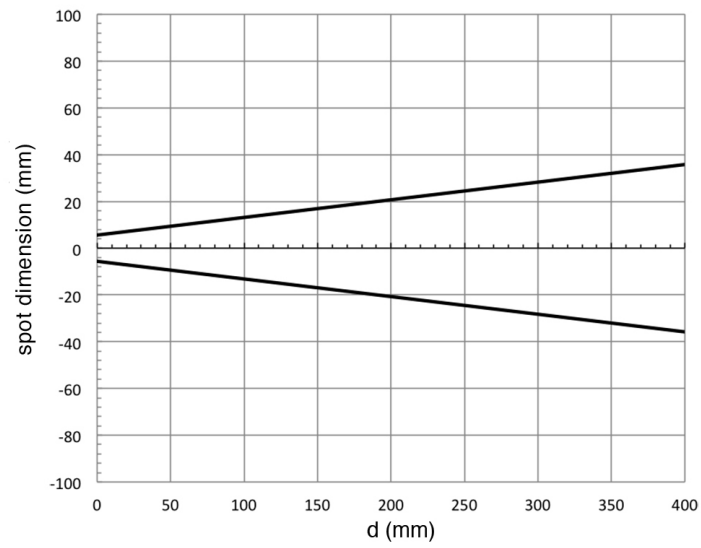


OTHERS

Dimensions



Response curves



**Datasensing
S.r.l.**

Strada S.Caterina, 235
41122 Modena (MO)
Tel. 059 420411
Fax 059 253973
E-mail
info@datasensing.com

**date of
printing**
13/06/2026
11:44:00