



**BS-BV**

**BSC/00-0E**

**Photo.Midi,NPN/PNP-NO/NC,M12 plug,Ref.  
CUBIC PHOTOELECTRIC SENSORS DECOU<sup>®</sup> OUTPUT - DC  
OR AC**

## OVERVIEW

- Wide range of models: diffuse, retro-reflective, polarized
- Multifunctional DECOU<sup>®</sup> output and logic connection possibilities (DC types)
- Multivoltage 20-253 Vac and TRIAC output with NO/NC selectable (AC types)
- Sensitivity adjustment
- Standard cable exit or M12 plug exit
- LED status indicator
- Completely filled with resin
- High sensing range



## TECHNICAL FEATURES

### Detection properties

Nominal sensing distance	8m
Repeat Accuracy	≤ 10%
Sensitivity adjustment	Trimmer

### Application

Function Principle	Retro-reflective
--------------------	------------------

Optic position	Axial
----------------	-------

#### Outputs

Output type	Decout NPN/PNP Selectable NO/NC Selectable
-------------	--

Output Function	NO/NC Selectable
-----------------	------------------

Switching frequency	80Hz
---------------------	------

Response time	6,25ms
---------------	--------

#### Electrical data

Operating Voltage	10...30VDC
-------------------	------------

No-Load supply current	$\leq 25\text{mA}$
------------------------	--------------------

Load current	$\leq 100\text{mA}$
--------------	---------------------

Leakage current	$\leq 10\mu\text{A}$
-----------------	----------------------

Output voltage drop	$\leq 1,2\text{V}@I_{\text{load}}=100\text{mA}$
---------------------	---

Max ripple content	$\leq 10\%$
--------------------	-------------

LED indicators	Red (output status)
----------------	---------------------

Time delay before availability	200ms
--------------------------------	-------

Short-circuit protection	Yes
--------------------------	-----

Reverse Polarity Protection	Yes
-----------------------------	-----

Emission	LED Infrared (880nm)
----------	----------------------

Interference to external light	3000lux Incandescent Lamp, 10000lux
--------------------------------	-------------------------------------

#### Mechanical data

Dimensions	16x37x64
------------	----------

Weight	185g
--------	------

Housing Material	ABS
------------------	-----

Connections	M12 plug 90°
-------------	--------------

Active Head Material	PMMA
----------------------	------

Operating temperature	- 25°C...+ 70°C ( without freeze)
-----------------------	-----------------------------------

Material	
----------	--

Diameter/Dimension	Cubic
--------------------	-------

#### Test/Approvals

Approvals	CE
-----------	----

EMC compatibility	EN 60947-5-2
-------------------	--------------

Shocks and vibrations	Vibration IEC 60068-2-6 / Shock IEC 60068-2-41
-----------------------	--

Degree of protection	IP65
----------------------	------

#### Accessories

Supplied Accessories	ST01 mounting brackets and screws
----------------------	-----------------------------------

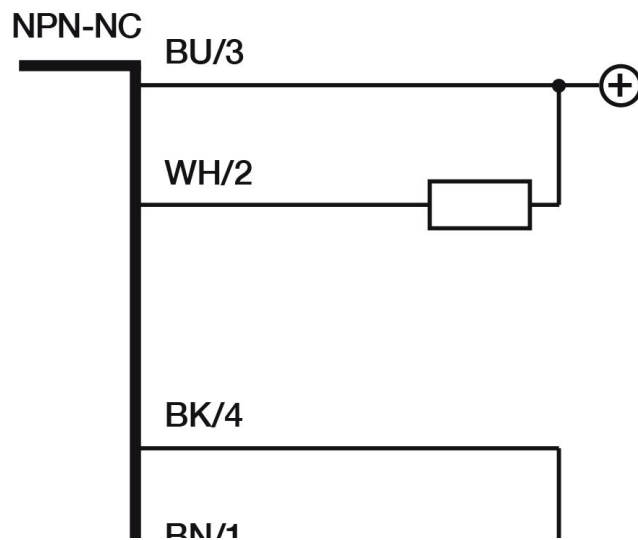
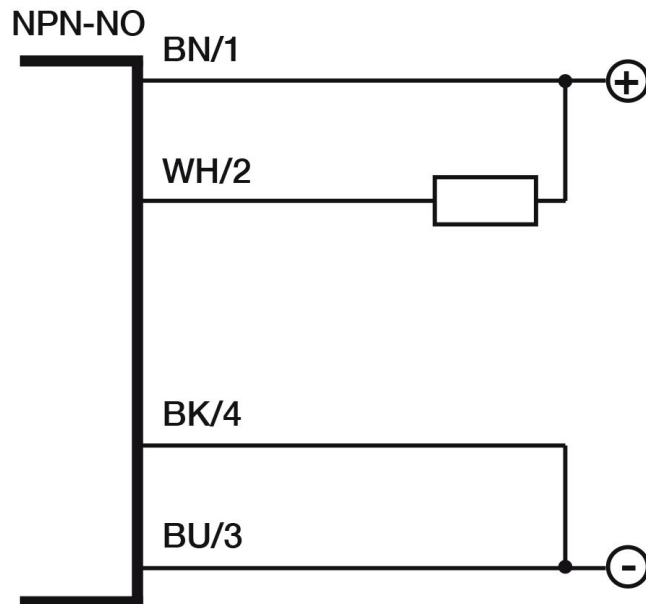
#### Generical Data

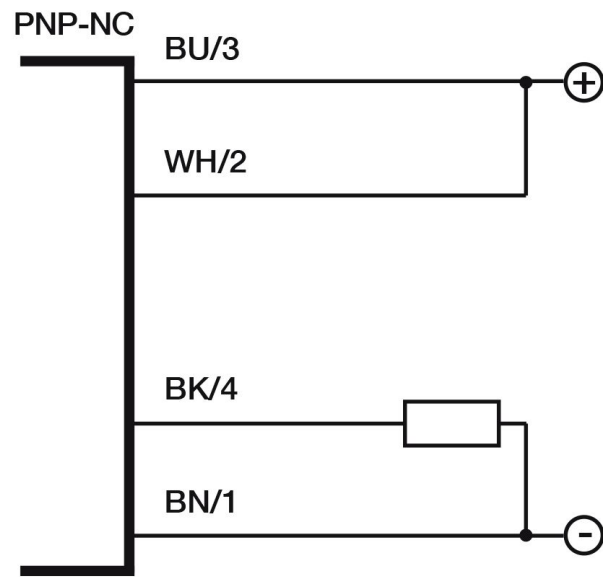
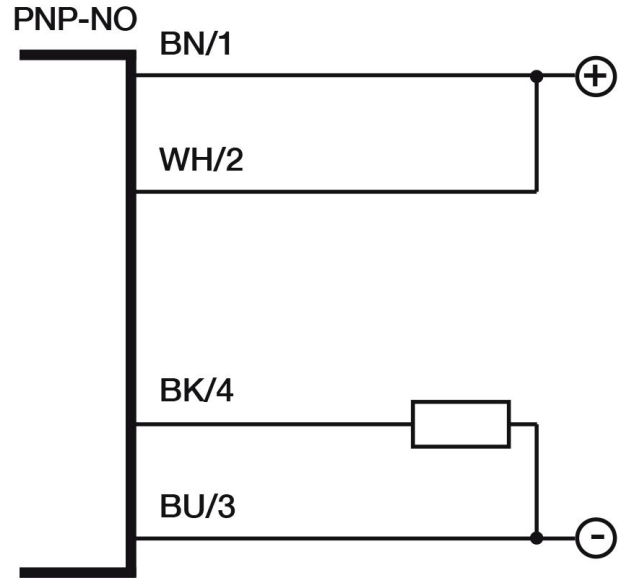
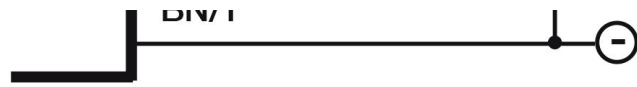
--	--

Dimensions	16x37x64
Operating Temperature	- 25°C...+ 70°C (Without freeze)
Mechanical Protection	IP65

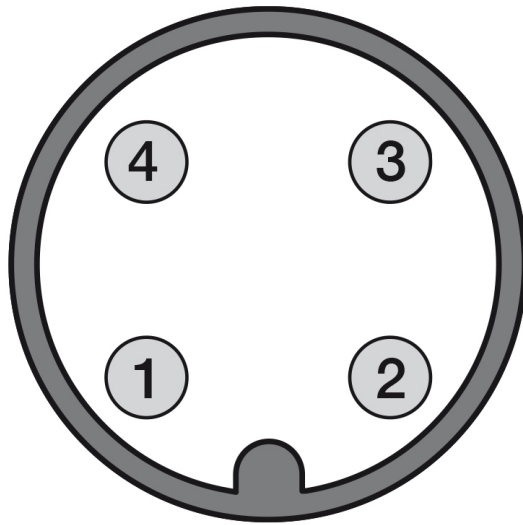
# CONNECTIONS

Electrical diagram





Connector

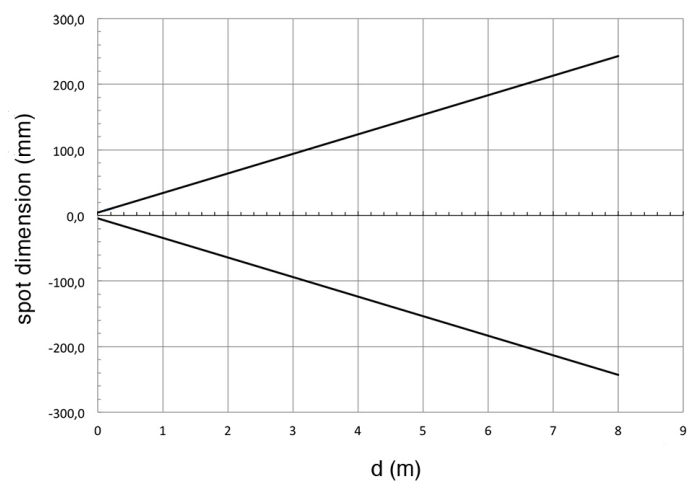


## OTHERS

Dimensions

Image:

Response curves



**Datasensing  
S.r.l.**

Strada S.Caterina, 235  
41122 Modena (MO)  
Tel. 059 420411  
Fax 059 253973  
E-mail  
[info@datasensing.com](mailto:info@datasensing.com)

**date of  
printing**  
14/05/2026  
03:06:57