



BS-BV

BS8/00-0C

Photo.Midi,NPN/PNP-NO/NC,Cable
90°,Diff.

CUBIC PHOTOELECTRIC SENSORS DECOU[®] OUTPUT - DC
OR AC

OVERVIEW

- Wide range of models: diffuse, retro-reflective, polarized
- Multifunctional DECOU[®] output and logic connection possibilities (DC types)
- Multivoltage 20-253 Vac and TRIAC output with NO/NC selectable (AC types)
- Sensitivity adjustment
- Standard cable exit or M12 plug exit
- LED status indicator
- Completely filled with resin
- High sensing range



TECHNICAL FEATURES

Detection properties

Nominal sensing distance	1,6m
Repeat Accuracy	≤ 5%
Sensitivity adjustment	Trimmer

Application

Function Principle	Diffuse reflection (long distance, >600mm)
--------------------	--

Optic position	Axial
----------------	-------

Outputs

Output type	Decout NPN/PNP Selectable NO/NC Selectable
-------------	--

Output Function	NO/NC Selectable
-----------------	------------------

Switching frequency	80Hz
---------------------	------

Response time	6,25ms
---------------	--------

Electrical data

Operating Voltage	10...30VDC
-------------------	------------

No-Load supply current	$\leq 25\text{mA}$
------------------------	--------------------

Load current	$\leq 100\text{mA}$
--------------	---------------------

Leakage current	$\leq 10\mu\text{A}$
-----------------	----------------------

Output voltage drop	$\leq 1,2\text{V}@I_{\text{load}}=100\text{mA}$
---------------------	---

Max ripple content	$\leq 10\%$
--------------------	-------------

LED indicators	Red (output status)
----------------	---------------------

Time delay before availability	200ms
--------------------------------	-------

Short-circuit protection	Yes
--------------------------	-----

Reverse Polarity Protection	Yes
-----------------------------	-----

Emission	LED Infrared (880nm)
----------	----------------------

Interference to external light	3000lux Incandescent Lamp, 10000lux
--------------------------------	-------------------------------------

Mechanical data

Dimensions	16x37x64
------------	----------

Material	
----------	--

Housing material	ABS
------------------	-----

Weight	185g
--------	------

Connections	2m PVC cable 90°
-------------	------------------

Active Head Material	PMMA
----------------------	------

Operating temperature	- 25°C...+ 70°C (without freeze)
-----------------------	-----------------------------------

Diameter/Dimension	Cubic
--------------------	-------

Test/Approvals

Approvals	CE
-----------	----

EMC compatibility	EN 60947-5-2
-------------------	--------------

Shocks and vibrations	Vibration IEC 60068-2-6 / Shock IEC 60068-2-36
-----------------------	--

Degree of protection	IP65
----------------------	------

Accessories

Supplied Accessories	ST01 mounting brackets and screws
----------------------	-----------------------------------

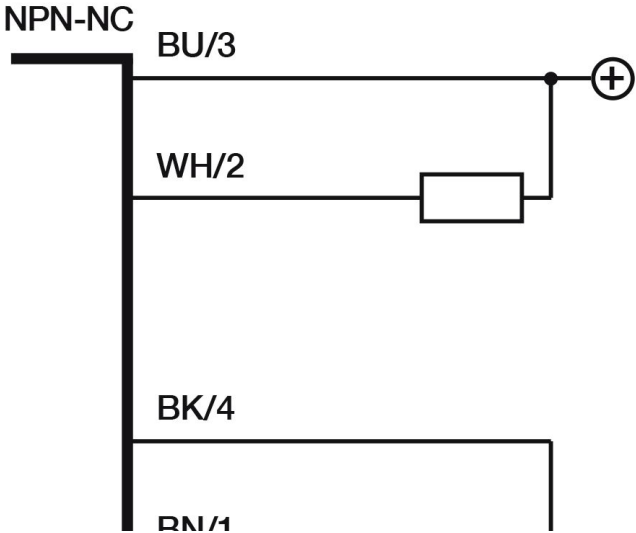
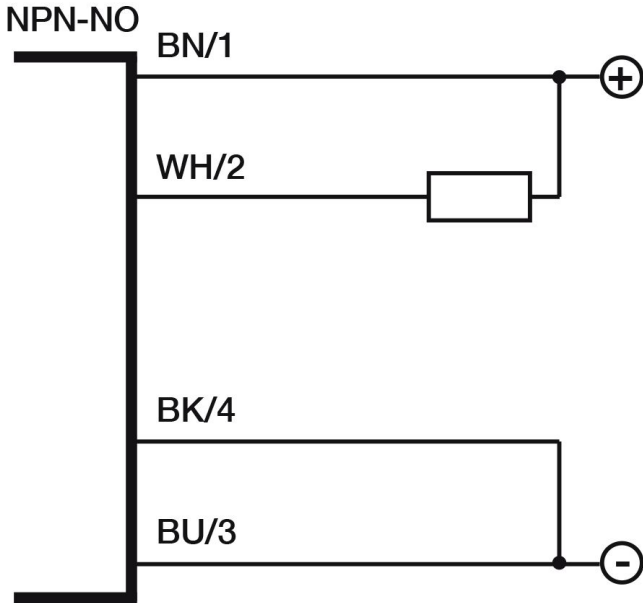
Generical Data

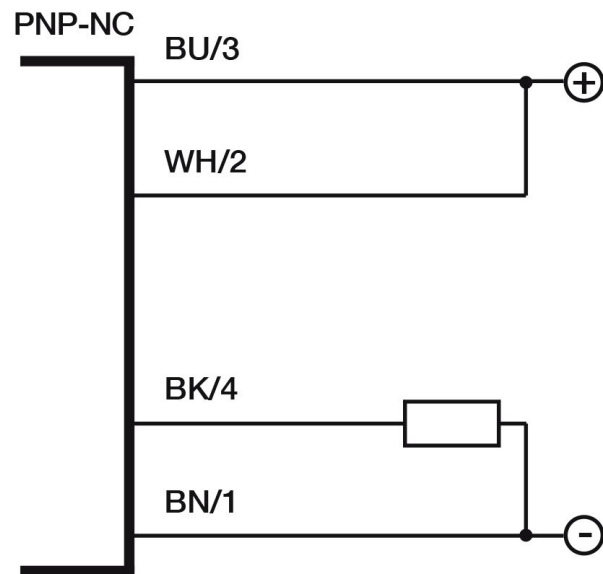
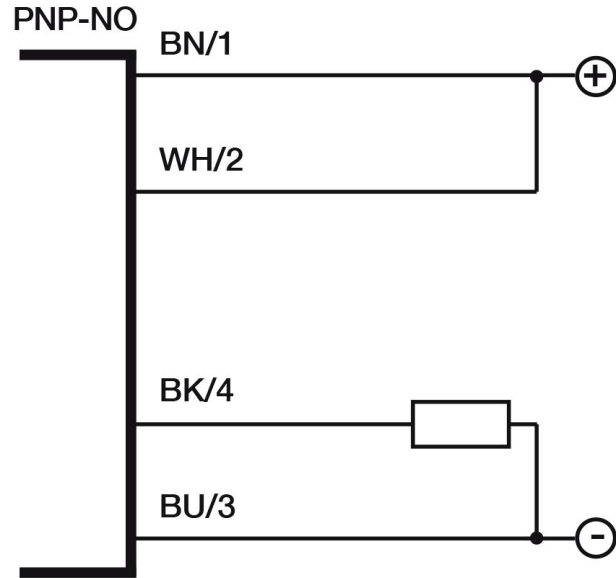
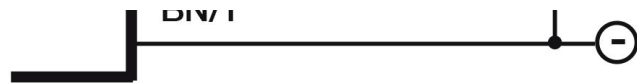
--	--

Dimensions	16x37x64
Operating Temperature	- 25°C...+ 70°C (Without freeze)
Mechanical Protection	IP65

CONNECTIONS

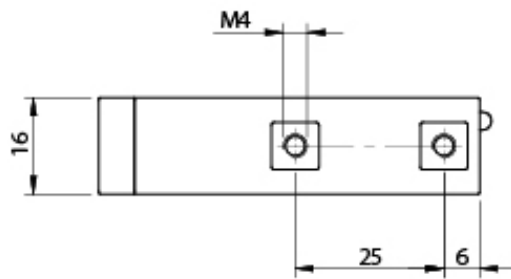
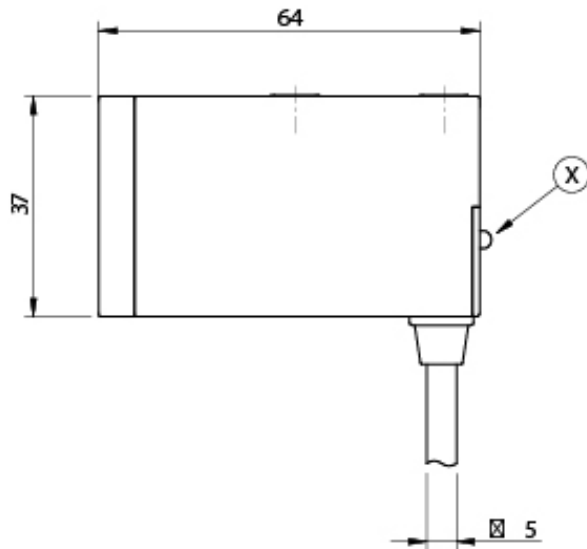
Electrical diagram



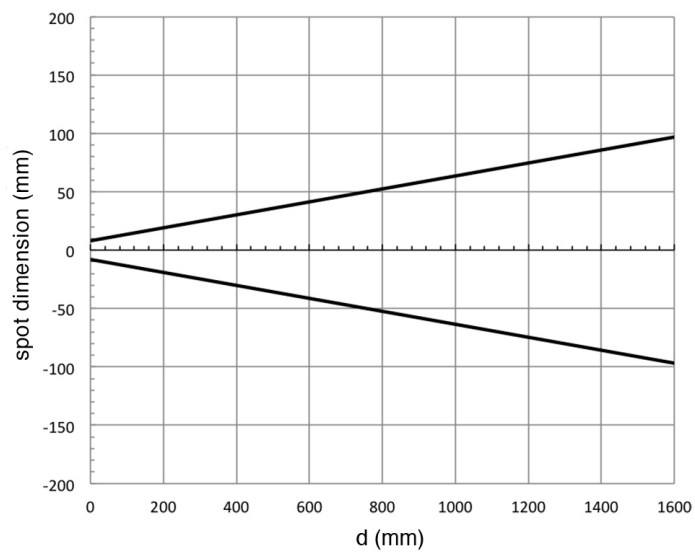


OTHERS

Dimensions



Response curves



**Datasensing
S.r.l.**

Strada S.Caterina, 235
41122 Modena (MO)
Tel. 059 420411

**date of
printing**
17/06/2026
04:21:37

Fax 059 253973

E-mail

info@datasensing.com