



BS-BV

BS6/00-0E

Photo.Midi,NPN/PNP-NO/NC,M12 plug,Diff.
CUBIC PHOTOELECTRIC SENSORS DECOU[®] OUTPUT - DC
OR AC

OVERVIEW

- Wide range of models: diffuse, retro-reflective, polarized
- Multifunctional DECOU[®] output and logic connection possibilities (DC types)
- Multivoltage 20-253 Vac and TRIAC output with NO/NC selectable (AC types)
- Sensitivity adjustment
- Standard cable exit or M12 plug exit
- LED status indicator
- Completely filled with resin
- High sensing range



TECHNICAL FEATURES

Detection properties

Nominal sensing distance	400mm
--------------------------	-------

Repeat Accuracy	≤ 5%
-----------------	------

Sensitivity adjustment	Trimmer
------------------------	---------

Application

Function Principle	Diffuse reflection (medium distance, ≤600mm)
--------------------	--

Optic position	Axial
----------------	-------

Outputs

Output type	Decout NPN/PNP Selectable NO/NC Selectable
-------------	--

Output Function	NO/NC Selectable
-----------------	------------------

Switching frequency	80Hz
---------------------	------

Response time	6,25ms
---------------	--------

Electrical data

Operating Voltage	10...30VDC
-------------------	------------

No-Load supply current	$\leq 25\text{mA}$
------------------------	--------------------

Load current	$\leq 100\text{mA}$
--------------	---------------------

Leakage current	$\leq 10\mu\text{A}$
-----------------	----------------------

Output voltage drop	$\leq 1,2\text{V}@I_{\text{load}}=100\text{mA}$
---------------------	---

Max ripple content	$\leq 10\%$
--------------------	-------------

LED indicators	Red (output status)
----------------	---------------------

Time delay before availability	200ms
--------------------------------	-------

Short-circuit protection	Yes
--------------------------	-----

Reverse Polarity Protection	Yes
-----------------------------	-----

Emission	LED Infrared (880nm)
----------	----------------------

Interference to external light	3000lux Incandescent Lamp, 10000lux
--------------------------------	-------------------------------------

Mechanical data

Dimensions	16x37x64
------------	----------

Weight	185g
--------	------

Housing Material	ABS
------------------	-----

Connections	M12 plug 90°
-------------	--------------

Active Head Material	PMMA
----------------------	------

Operating temperature	- 25°C...+ 70°C (without freeze)
-----------------------	-----------------------------------

Material	
----------	--

Diameter/Dimension	Cubic
--------------------	-------

Test/Approvals

Approvals	CE
-----------	----

EMC compatibility	EN 60947-5-2
-------------------	--------------

Shocks and vibrations	Vibration IEC 60068-2-6 / Shock IEC 60068-2-35
-----------------------	--

Degree of protection	IP65
----------------------	------

Accessories

Supplied Accessories	ST01 mounting brackets and screws
----------------------	-----------------------------------

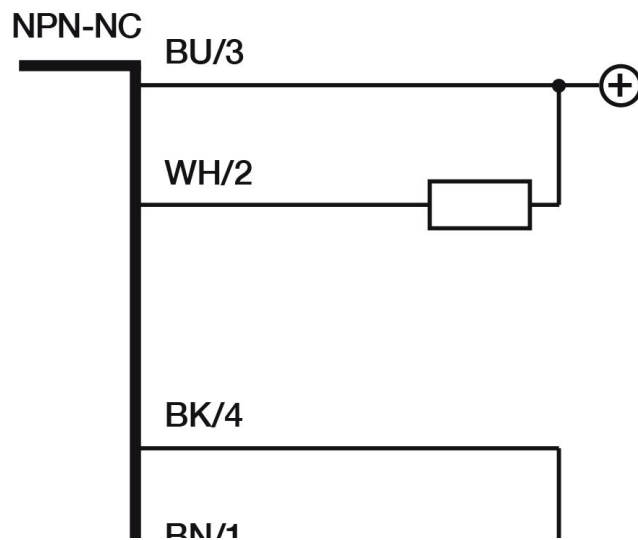
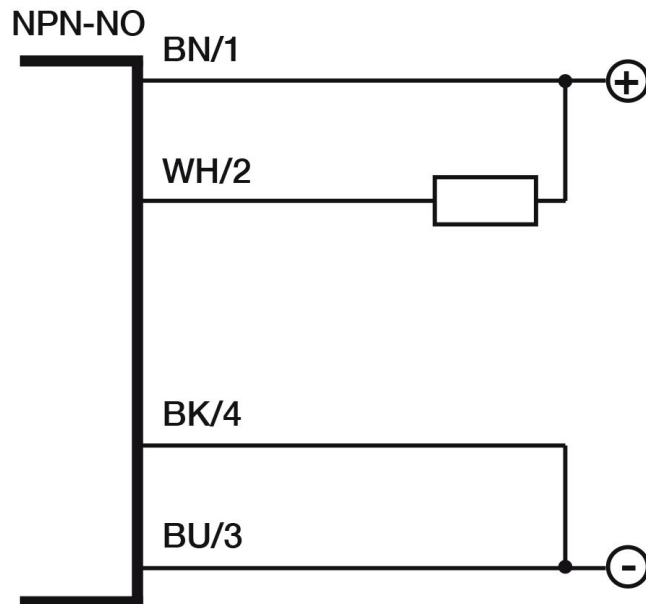
Generical Data

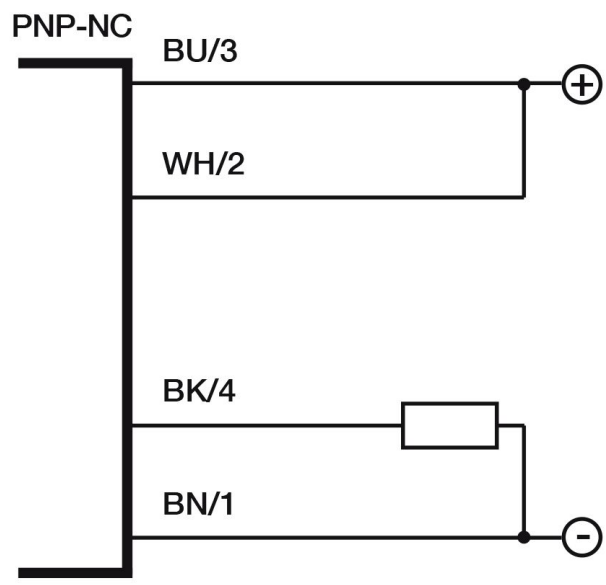
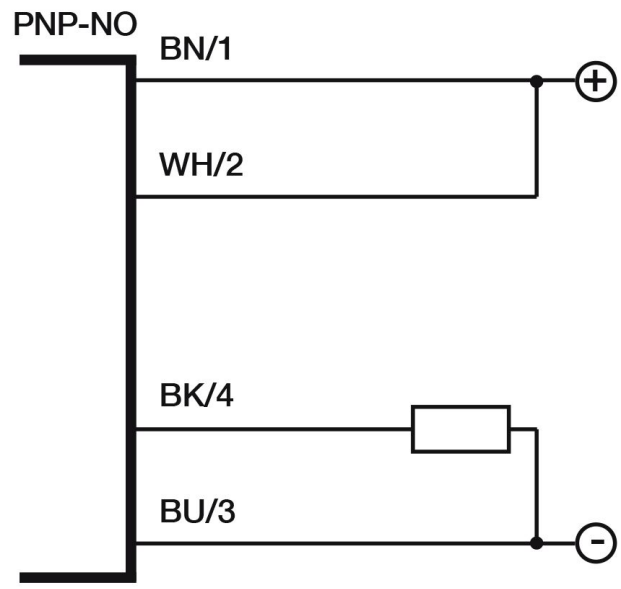
--	--

Dimensions	16x37x64
Operating Temperature	- 25°C...+ 70°C (Without freeze)
Mechanical Protection	IP65

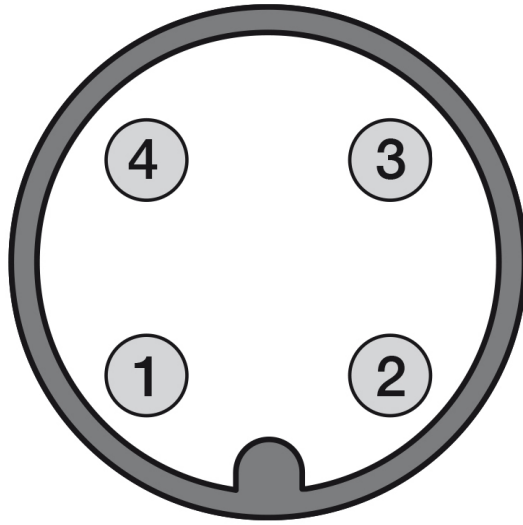
CONNECTIONS

Electrical diagram



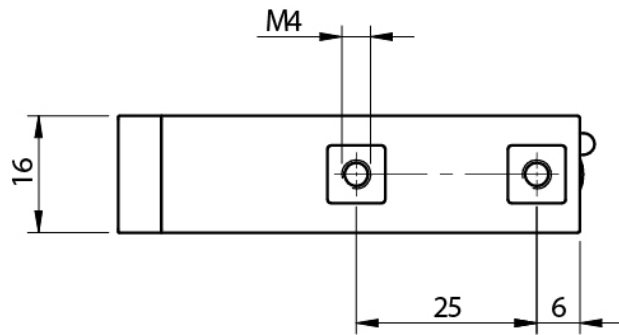
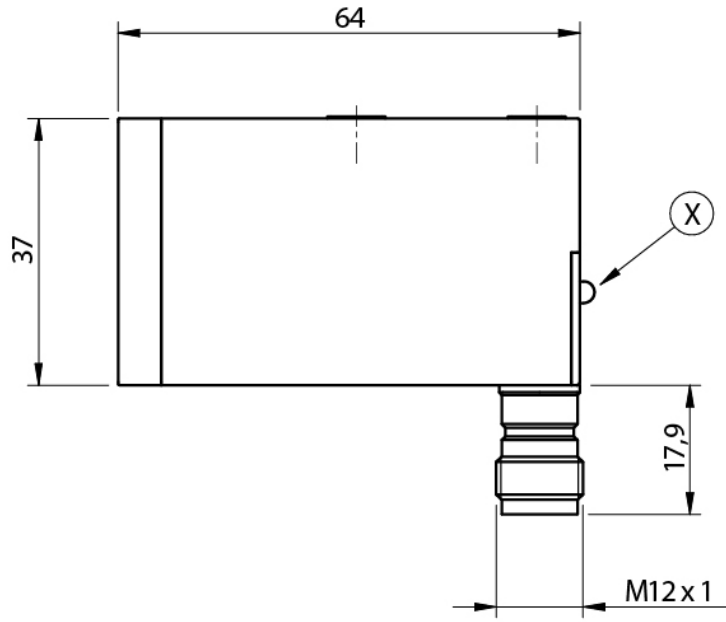
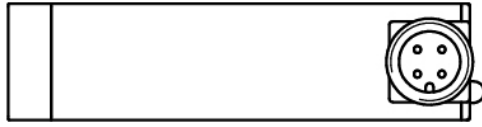


Connector

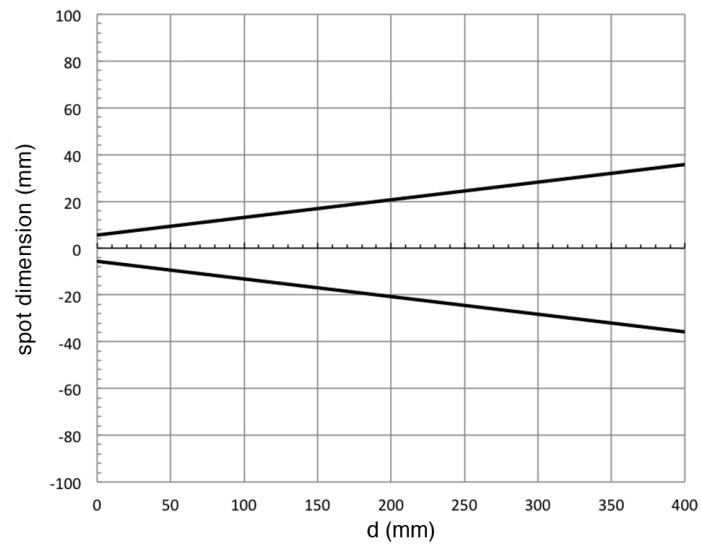


OTHERS

Dimensions



Response curves



**Datasensing
S.r.l.**

Strada S.Caterina, 235
41122 Modena (MO)
Tel. 059 420411
Fax 059 253973
E-mail
info@datasensing.com

**date of
printing**
04/04/2026
23:20:12