



BS-BV

BS2/00-0C

Photo.Midi,NPN/PNP-NO/NC,Cable
90°,Diff.

CUBIC PHOTOELECTRIC SENSORS DECOU[®] OUTPUT - DC
OR AC

OVERVIEW

- Wide range of models: diffuse, retro-reflective, polarized
- Multifunctional DECOU[®] output and logic connection possibilities (DC types)
- Multivoltage 20-253 Vac and TRIAC output with NO/NC selectable (AC types)
- Sensitivity adjustment
- Standard cable exit or M12 plug exit
- LED status indicator
- Completely filled with resin
- High sensing range



TECHNICAL FEATURES

Detection properties

| | |
|--------------------------|---------|
| Nominal sensing distance | 100mm |
| Repeat Accuracy | ≤ 5% |
| Sensitivity adjustment | Trimmer |

Application

| | |
|--------------------|---|
| Function Principle | Diffuse reflection (short distance, ≤200mm) |
|--------------------|---|

| | |
|----------------|-------|
| Optic position | Axial |
|----------------|-------|

Outputs

| | |
|-------------|--|
| Output type | Decout NPN/PNP Selectable NO/NC Selectable |
|-------------|--|

| | |
|-----------------|------------------|
| Output Function | NO/NC Selectable |
|-----------------|------------------|

| | |
|---------------------|------|
| Switching frequency | 80Hz |
|---------------------|------|

| | |
|---------------|--------|
| Response time | 6,25ms |
|---------------|--------|

Electrical data

| | |
|-------------------|------------|
| Operating Voltage | 10...30VDC |
|-------------------|------------|

| | |
|------------------------|--------------------|
| No-Load supply current | $\leq 25\text{mA}$ |
|------------------------|--------------------|

| | |
|--------------|---------------------|
| Load current | $\leq 100\text{mA}$ |
|--------------|---------------------|

| | |
|-----------------|----------------------|
| Leakage current | $\leq 10\mu\text{A}$ |
|-----------------|----------------------|

| | |
|---------------------|---|
| Output voltage drop | $\leq 1,2\text{V}@I_{\text{load}}=100\text{mA}$ |
|---------------------|---|

| | |
|--------------------|-------------|
| Max ripple content | $\leq 10\%$ |
|--------------------|-------------|

| | |
|----------------|---------------------|
| LED indicators | Red (output status) |
|----------------|---------------------|

| | |
|--------------------------------|-------|
| Time delay before availability | 200ms |
|--------------------------------|-------|

| | |
|--------------------------|-----|
| Short-circuit protection | Yes |
|--------------------------|-----|

| | |
|-----------------------------|-----|
| Reverse Polarity Protection | Yes |
|-----------------------------|-----|

| | |
|----------|----------------------|
| Emission | LED Infrared (880nm) |
|----------|----------------------|

| | |
|--------------------------------|-------------------------------------|
| Interference to external light | 3000lux Incandescent Lamp, 10000lux |
|--------------------------------|-------------------------------------|

Mechanical data

| | |
|------------|----------|
| Dimensions | 16x37x64 |
|------------|----------|

| | |
|--------|------|
| Weight | 185g |
|--------|------|

| | |
|------------------|-----|
| Housing Material | ABS |
|------------------|-----|

| | |
|-------------|------------------|
| Connections | 2m PVC cable 90° |
|-------------|------------------|

| | |
|----------------------|------|
| Active Head Material | PMMA |
|----------------------|------|

| | |
|-----------------------|-----------------------------------|
| Operating temperature | - 25°C...+ 70°C (without freeze) |
|-----------------------|-----------------------------------|

| | |
|----------|--|
| Material | |
|----------|--|

| | |
|--------------------|-------|
| Diameter/Dimension | Cubic |
|--------------------|-------|

Test/Approvals

| | |
|-----------|----|
| Approvals | CE |
|-----------|----|

| | |
|-------------------|--------------|
| EMC compatibility | EN 60947-5-2 |
|-------------------|--------------|

| | |
|-----------------------|--|
| Shocks and vibrations | Vibration IEC 60068-2-6 / Shock IEC 60068-2-29 |
|-----------------------|--|

| | |
|----------------------|------|
| Degree of protection | IP65 |
|----------------------|------|

Accessories

| | |
|----------------------|-----------------------------------|
| Supplied Accessories | ST01 mounting brackets and screws |
|----------------------|-----------------------------------|

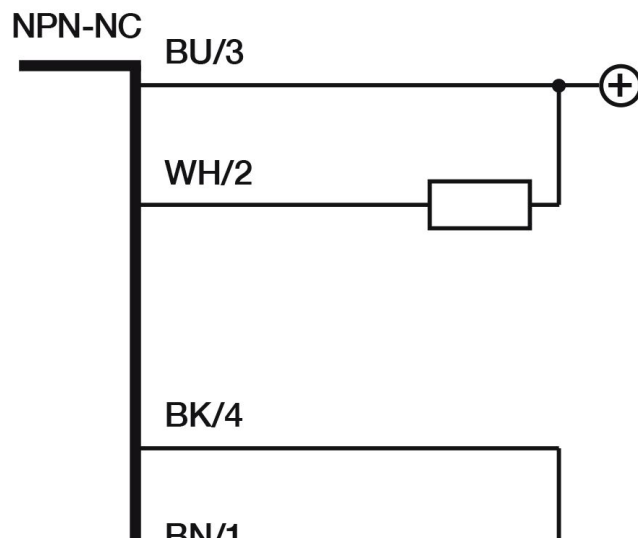
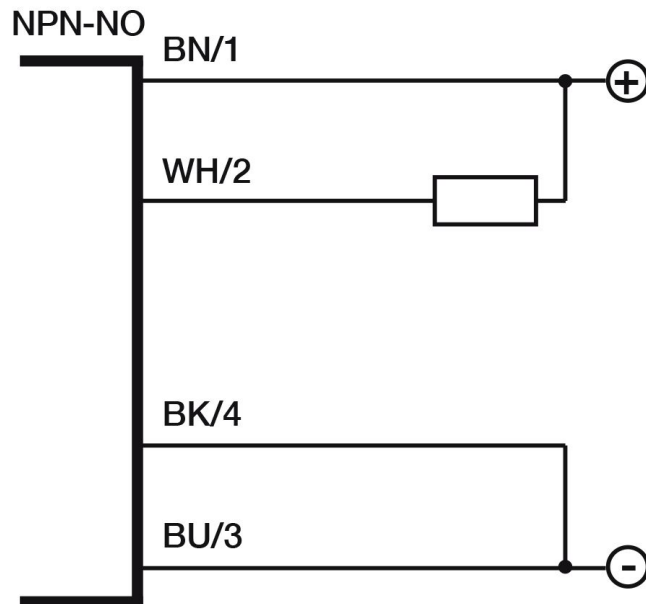
Generical Data

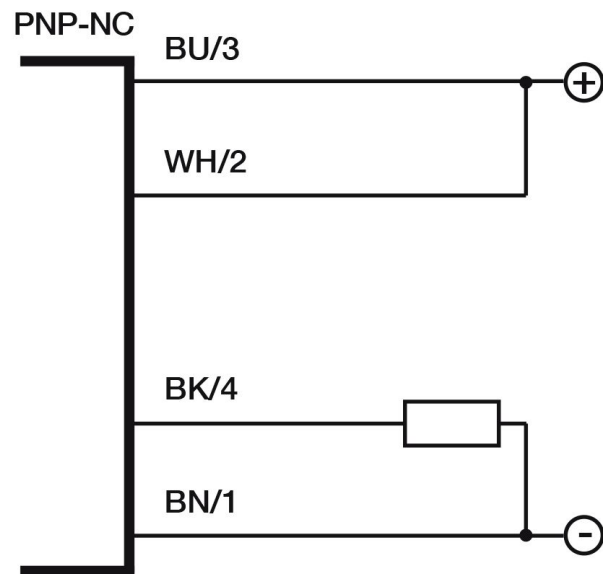
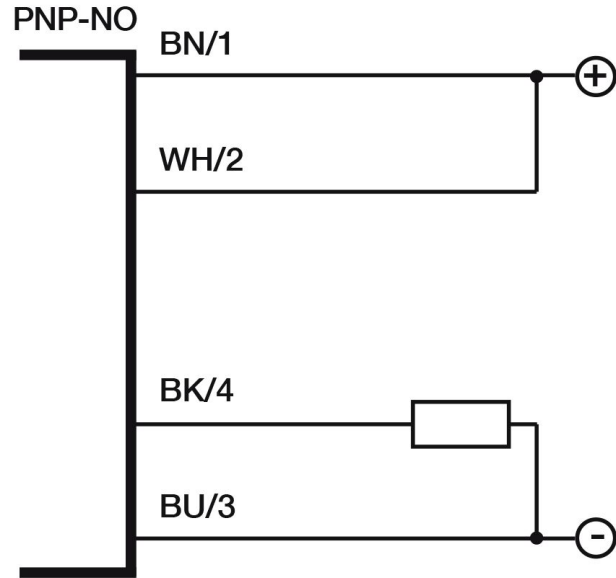
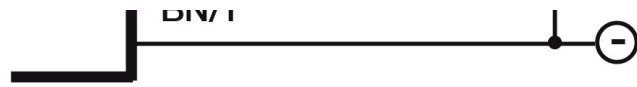
| | |
|--|--|
| | |
|--|--|

| | |
|-----------------------|----------------------------------|
| Dimensions | 16x37x64 |
| Operating Temperature | - 25°C...+ 70°C (Without freeze) |
| Mechanical Protection | IP65 |

CONNECTIONS

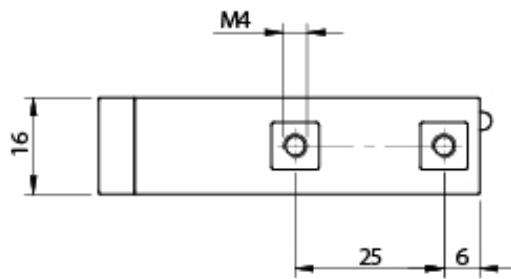
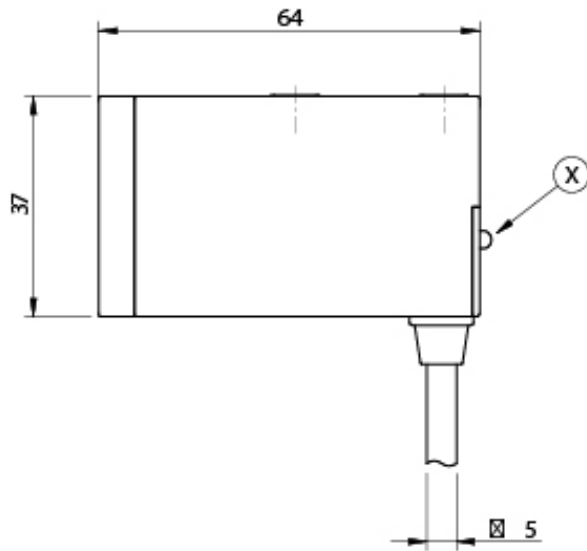
Electrical diagram



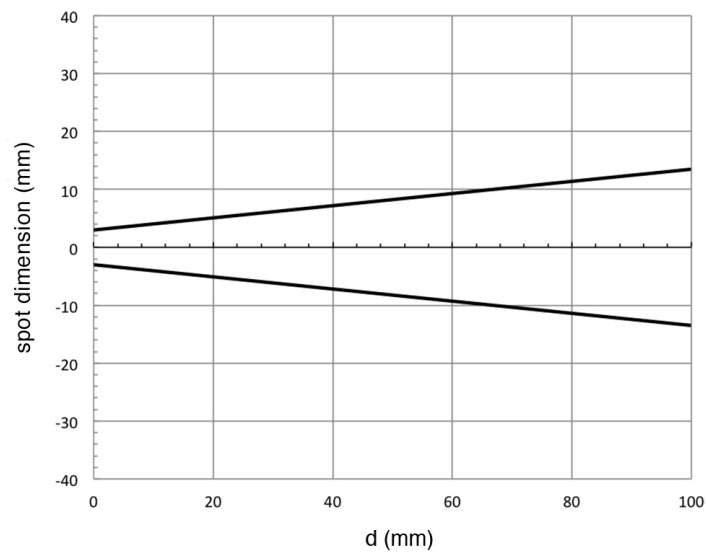


OTHERS

Dimensions



Response curves



**Datasensing
S.r.l.**

Strada S.Caterina, 235
41122 Modena (MO)
Tel. 059 420411

**date of
printing**

14/05/2025
14:06:22

Fax 059 253973

E-mail

info@datasensing.com