

FS

FS1/0P-E



Photo.Midi,PNP-NO/NC,M12 90°,Fiber ampli

CUBIC AMPLIFIER UNIT FOR OPTICAL FIBRES - DC

OVERVIEW

- Extremely reduced dimensions amplifier units (only 49 x 26 x15 mm)
- Right angle cable exit or M12 plug cable for reducing the overall dimensions at minimum
- Trimmer for sensivity adjustment
- NPN or PNP outputs with selectable NO/NC
- Red light beam with visible spot
- Wide range of optical fibres (plastics and glass)
- Complete protection against electrical damage
- Fixing with M4 screws (2xM4, 20 mm step)



TECHNICAL FEATURES

Detection properties

Nominal sensing distance	Depending on optical fibres used
--------------------------	----------------------------------

Thermal drift of Sr	$\leq 10\%$ Sr
---------------------	----------------

Repeat Accuracy	$\leq 5\%$
-----------------	------------

Sensitivity adjustment	Trimmer
------------------------	---------

Application

Function Principle	Optic fiber amplifier
Optic position	Axial

Outputs

Output type	PNP L/D Selectable
Output Function	L/D Selectable
Switching frequency	1Khz
Response time	500 μ s

Electrical data

Operating Voltage	10...30VDC
No-Load supply current	≤ 30 mA
Load current	≤ 100 mA
Leakage current	≤ 10 μ A @ Vmax
Output voltage drop	$\leq 1,2$ V@Iload=100mA
Max ripple content	≤ 10 %
LED indicators	red (output state)
Time delay before availability	≤ 200 ms
Short-circuit protection	Yes
Reverse Polarity Protection	Yes

Emission	LED Red (660nm)
Interference to external light	30.000lux (incandescent lamp), 10.000lux (sunlight)

Mechanical data

Dimensions	15x26x67 mm
Housing material	Polyamide
Weight	50 g
Connections	M12 plug 90°
Active Head Material	
Operating temperature	- 25°C...+ 70°C (without freeze)
Diameter/Dimension	Cubic

Test/Approvals

Approvals	CE
EMC compatibility	EN 60947-5-2
Shocks and vibrations	Vibration IEC 60068-2-6 / Shock IEC 60068-2-27
Degree of protection	IP67

Accessories

Supplied Accessories	ST07 mounting bracket and screws
----------------------	----------------------------------

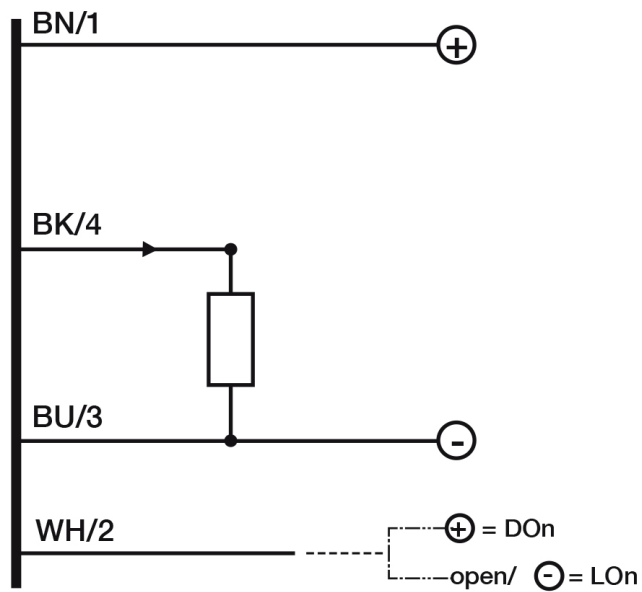
Generical Data

--	--

Dimensions	15x26x67 mm
Operating Temperature	- 25°C...+ 70°C (Without freeze)
Mechanical Protection	IP67

CONNECTIONS

Electrical diagram

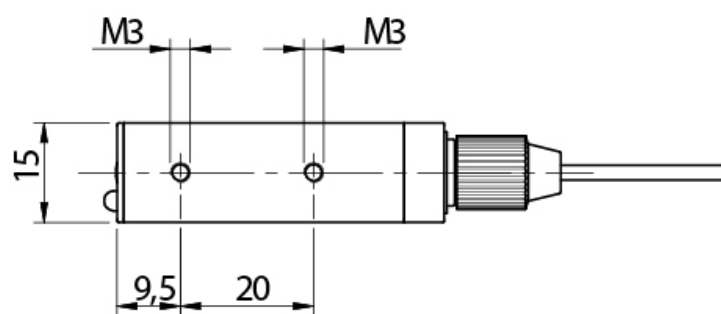
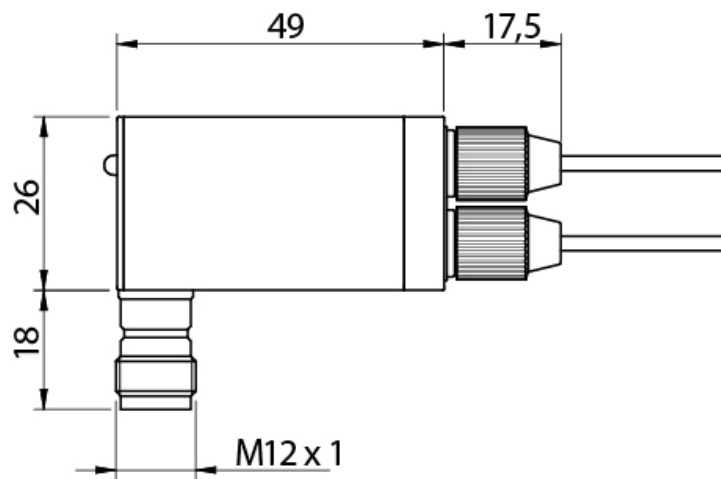


Connector



OTHERS

Dimensions



**Datasensing
S.r.l.**

Strada S.Caterina, 235
41122 Modena (MO)
Tel. 059 420411
Fax 059 253973
E-mail
info@datasensing.com

**date of
printing**

22/05/2026
19:23:34