



# FS

## FS1/0P-C

Photo.Midi,PNP-NO/NC,Cable,Fiber ampli  
CUBIC AMPLIFIER UNIT FOR OPTICAL FIBRES - DC

## OVERVIEW

- Extremely reduced dimensions amplifier units (only 49 x 26 x15 mm)
- Right angle cable exit or M12 plug cable for reducing the overall dimensions at minimum
- Trimmer for sensivity adjustment
- NPN or PNP outputs with selectable NO/NC
- Red light beam with visible spot
- Wide range of optical fibres (plastics and glass)
- Complete protection against electrical damage
- Fixing with M4 screws (2xM4, 20 mm step)



## TECHNICAL FEATURES

### Detection properties

Nominal sensing distance	Depending on optical fibres used
Thermal drift of Sr	≤ 10% Sr
Repeat Accuracy	≤ 5%
Sensitivity adjustment	Trimmer

## Application

Function Principle	Optic fiber amplifier
Optic position	Axial

## Outputs

Output type	PNP L/D Selectable
Output Function	L/D Selectable
Switching frequency	1Khz
Response time	500 $\mu$ s

## Electrical data

Operating Voltage	10...30VDC
No-Load supply current	$\leq 30$ mA
Load current	$\leq 100$ mA
Leakage current	$\leq 10\mu$ A @ Vmax
Output voltage drop	$\leq 1,2$ V@Iload=100mA
Max ripple content	$\leq 10\%$
LED indicators	red (output state)
Time delay before availability	$\leq 200$ ms
Short-circuit protection	Yes
Reverse Polarity Protection	Yes

Emission	LED Red (660nm)
Interference to external light	3.000lux (incandescent lamp), 10.000lux (sunlight)

#### Mechanical data

Dimensions	15x26x67 mm
Housing material	Polyammide
Weight	120 g
Connections	2m PVC cable 90°
Active Head Material	
Operating temperature	- 25°C...+ 70°C (without freeze)
Diameter/Dimension	Cubic

#### Test/Approvals

Approvals	CE
EMC compatibility	EN 60947-5-2
Shocks and vibrations	Vibration IEC 60068-2-6 / Shock IEC 60068-2-27
Degree of protection	IP67

#### Accessories

Supplied Accessories	ST07 mounting bracket and screws
----------------------	----------------------------------

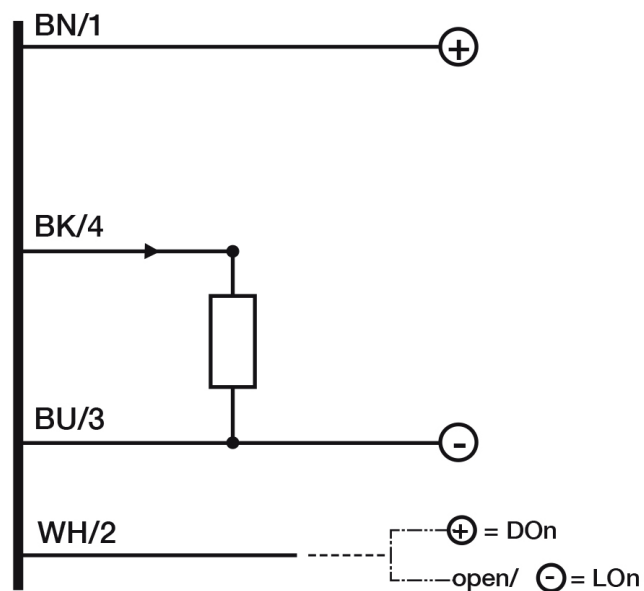
#### Generical Data

--	--

Dimensions	15x26x67 mm
Operating Temperature	- 25°C...+ 70°C (Without freeze)
Mechanical Protection	IP67

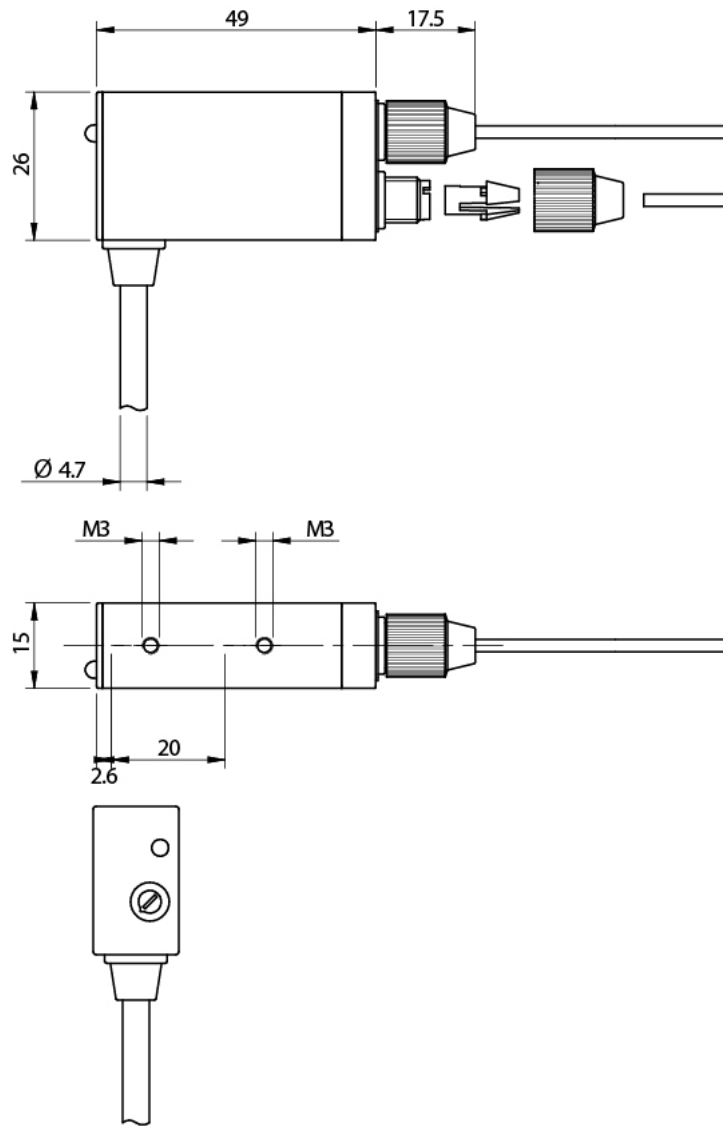
## CONNECTIONS

Electrical diagram



## OTHERS

Dimensions



**Datasensing  
S.r.l.**

Strada S.Caterina, 235  
41122 Modena (MO)  
Tel. 059 420411  
Fax 059 253973  
E-mail  
info@datasensing.com

**date of  
printing**  
14/06/2026  
01:56:59