



RX

RX8/00-1A37

**Photo.Maxi,NPN/PNP-NO/NC,M12
plug,Diff.**

**MAXI WITH STATIC OUTPUT DC OR WITH RELAY OUTPUT
AC/DC**

OVERVIEW

- Models: diffuse reflection, retro-reflective, polarized, through-beam and background suppression
- Series with high performances and wide possibilities of installation
- High sensing distance and very small dimensions
- Relay output or multifunctional DECOUT®
- Timer function delay on, delay off, one shot; trimmer for sensitivity adjustment
- Switch reducing the emission for fine detection in through-beam types
- LED alignment indicator with 360° visibility, 2 LED indicators (stable signal, output)
- M12 standard plug cable exit; axial and right angle brackets



TECHNICAL FEATURES

Detection properties

| | |
|--------------------------|---------|
| Nominal sensing distance | 4,5m |
| Thermal drift of Sr | 10% Sr |
| Repeat Accuracy | 5% |
| Sensitivity adjustment | Trimmer |

Application

| | |
|--------------------|--|
| Function Principle | Diffuse reflection (long distance, >600mm) |
| Notes | white target Kodak 90% 400 x 400mm EG=1,5 |
| Optic position | Axial |

Outputs

| | |
|---------------------|---|
| Output type | Decout NPN/PNP Selectable Decout NO/NC Selectable |
| Output Function | Decout NO/NC Selectable |
| Switching frequency | 500Hz |
| Response time | 1ms |

Electrical data

| | |
|--------------------------------|---|
| Operating Voltage | 10...30VDC |
| No-Load supply current | $\leq 25\text{mA}$ |
| Load current | $\leq 100\text{mA}$ |
| Leakage current | $\leq 10\mu\text{A}$ |
| Output voltage drop | $\leq 1,2\text{V}@I_{\text{load}}=100\text{mA}$ |
| Max ripple content | $\leq 10\%$ |
| LED indicators | Red (output status) o (alineament), Green (stability) |
| Time delay before availability | $\leq 200\text{ms}$ |
| Short-circuit protection | Yes |

| | |
|--------------------------------|-------------------------------|
| Reverse Polarity Protection | Yes |
| Emission | LED Infrared (880nm) |
| Interference to external light | ≥ 5000lux (incandescent lamp) |

Mechanical data

| | |
|-----------------------|-----------------------------------|
| Dimensions | 26x86,6x50 |
| Housing material | PC |
| Weight | 75g |
| Connections | M12 plug |
| Active Head Material | PMMA |
| Operating temperature | - 25°C...+ 70°C (without freeze) |
| Diameter/Dimension | Cubic |

Test/Approvals

| | |
|-----------------------|--|
| Approvals | CE cULus |
| EMC compatibility | EN 60947-5-2 |
| Shocks and vibrations | Vibration IEC 60068-2-6 / Shock IEC 60068-2-28 |
| Degree of protection | IP65 |

Accessories

| | |
|----------------------|----------------------------------|
| Supplied Accessories | ST80 mounting bracket and screws |
|----------------------|----------------------------------|

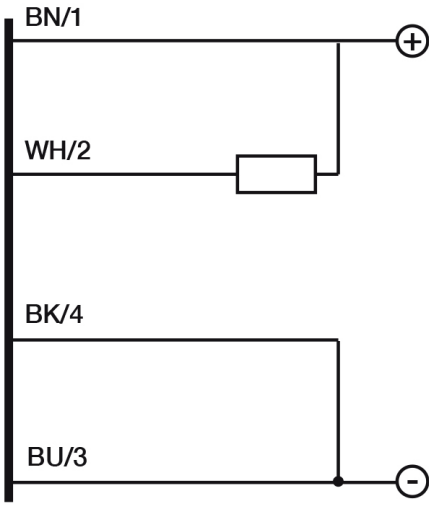
Generical Data

| | |
|-----------------------|----------------------------------|
| Dimensions | 26x86,6x50 |
| Operating Temperature | - 25°C...+ 70°C (Without freeze) |
| Mechanical Protection | IP65 |

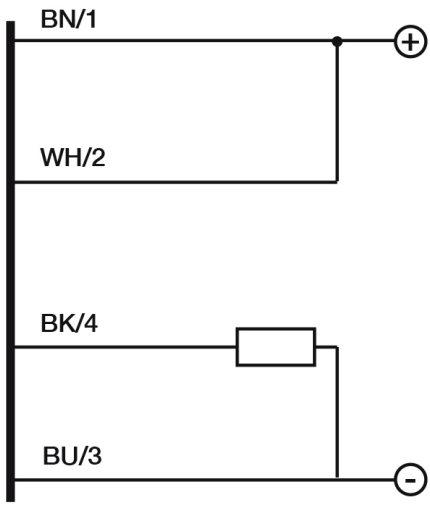
CONNECTIONS

Electrical diagram

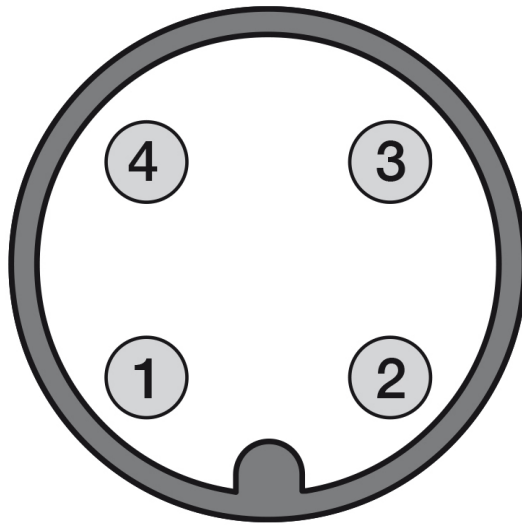
NPN



PNP

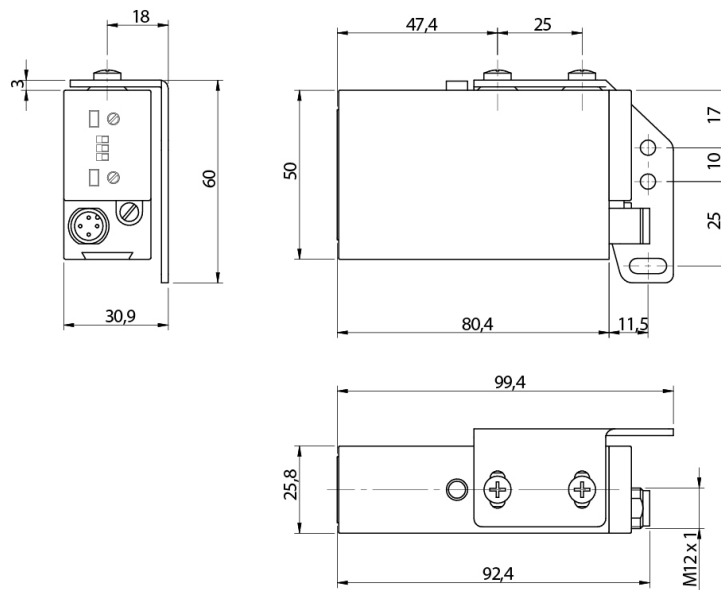


Connector

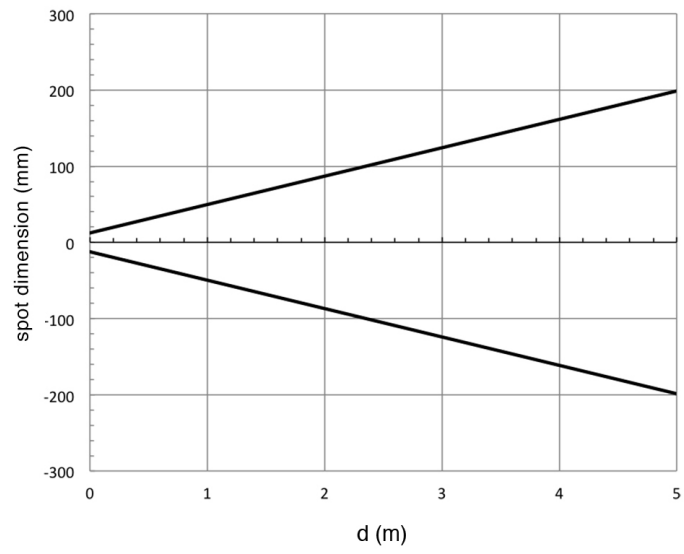


OTHERS

Dimensions



Response curves



**Datasensing
S.r.l.**

Strada S.Caterina, 235
41122 Modena (MO)
Tel. 059 420411
Fax 059 253973
E-mail
info@datasensing.com

**date of
printing**
10/06/2026
05:05:03