



RX

RX6/0T-3B

Photo.Maxi,Relay-NO/NC,M12 plug,Diffuse
MAXI WITH STATIC OUTPUT DC OR WITH RELAY OUTPUT
AC/DC

OVERVIEW

- Models: diffuse reflection, retro-reflective, polarized, through-beam and background suppression
- Series with high performances and wide possibilities of installation
- High sensing distance and very small dimensions
- Relay output or multifunctional DECOU[®]
- Timer function delay on, delay off, one shot; trimmer for sensitivity adjustment
- Switch reducing the emission for fine detection in through-beam types
- LED alignment indicator with 360° visibility, 2 LED indicators (stable signal, output)
- M12 standard plug cable exit; axial and right angle brackets



TECHNICAL FEATURES

Detection properties

Nominal sensing distance	1m
Thermal drift of Sr	10% Sr
Repeat Accuracy	5%
Sensitivity adjustment	Trimmer

Application

Function Principle	Diffuse reflection (long distance, >600mm)
Notes	white target Kodak 90% 400 x 400mm EG=1,5
Optic position	Axial

Outputs

Output type	Relay SPST NO/NC
Output Function	NO/NC
Switching frequency	25Hz
Response time	20ms

Electrical data

Operating Voltage	20...60VDC /20...253VAC/50-60Hz
No-Load supply current	$\leq 25\text{mARMS}$
Load current	3A-250Vac/3A-30Vdc (750VA/90W)
Max ripple content	$\leq 10\%$
LED indicators	Red (output status) o (alineament), Green (stability)
Time delay before availability	$\leq 200\text{ms}$
Reverse Polarity Protection	Yes
Emission	LED Infrared (880nm)
Interference to external light	$\geq 5000\text{lux}$ (incandescent lamp)

Impulsive Overvoltage Protection	Yes
----------------------------------	-----

Mechanical data

Dimensions	26x86,6x61
------------	------------

Housing material	PC
------------------	----

Weight	90g
--------	-----

Connections	M12 plug
-------------	----------

Active Head Material	PMMA
----------------------	------

Operating temperature	- 25°C...+ 70°C (without freeze)
-----------------------	-----------------------------------

Diameter/Dimension	Cubic
--------------------	-------

Test/Approvals

Approvals	CE
-----------	----

EMC compatibility	EN 60947-5-2
-------------------	--------------

Shocks and vibrations	Vibration IEC 60068-2-6 / Shock IEC 60068-2-28
-----------------------	--

Degree of protection	IP65
----------------------	------

Accessories

Supplied Accessories	ST81 mounting bracket and screws
----------------------	----------------------------------

Generical Data

Dimensions	26x86,6x61
------------	------------

Operating Temperature

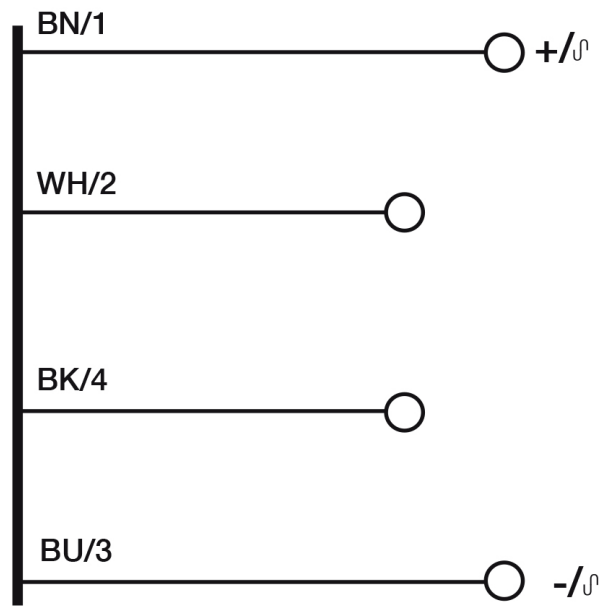
- 25°C...+ 70°C (Without freeze)

Mechanical Protection

IP65

CONNECTIONS

Electrical diagram

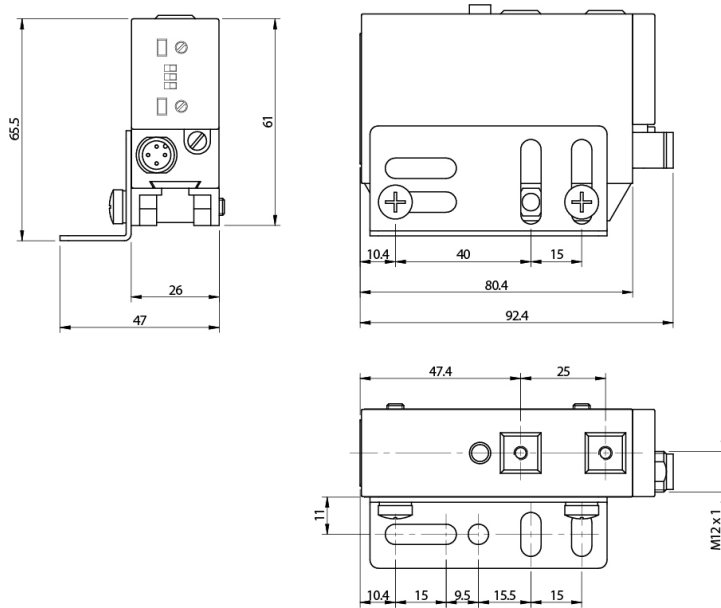


Connector

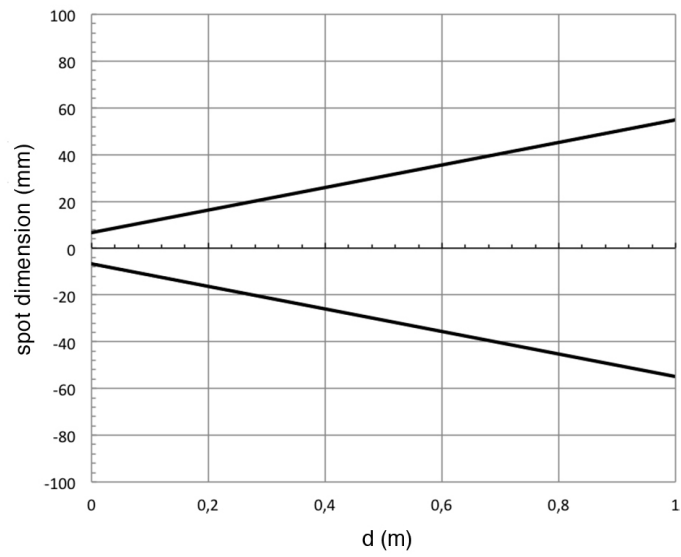


OTHERS

Dimensions



Response curves



**Datasensing
S.r.l.**

Strada S.Caterina, 235
41122 Modena (MO)
Tel. 059 420411
Fax 059 253973
E-mail
info@datasensing.com

**date of
printing**
19/06/2026
01:10:30