



# RX

## RX6/00-1B

**Photo.Maxi,NPN/PNP-NO/NC,M12  
plug,Diff.**

**MAXI WITH STATIC OUTPUT DC OR WITH RELAY OUTPUT  
AC/DC**

## OVERVIEW

- Models: diffuse reflection, retro-reflective, polarized, through-beam and background suppression
- Series with high performances and wide possibilities of installation
- High sensing distance and very small dimensions
- Relay output or multifunctional DECOU<sup>®</sup>
- Timer function delay on, delay off, one shot; trimmer for sensitivity adjustment
- Switch reducing the emission for fine detection in through-beam types
- LED alignment indicator with 360° visibility, 2 LED indicators (stable signal, output)
- M12 standard plug cable exit; axial and right angle brackets



## TECHNICAL FEATURES

### Detection properties

Nominal sensing distance	1m
Thermal drift of Sr	10% Sr
Repeat Accuracy	5%
Sensitivity adjustment	Trimmer

## Application

Function Principle	Diffuse reflection (long distance, >600mm)
Notes	white target Kodak 90% 400 x 400mm EG=1,5
Optic position	Axial

## Outputs

Output type	Decout NPN/PNP Selectable Decout NO/NC Selectable
Output Function	Decout NO/NC Selectable
Switching frequency	500Hz
Response time	1ms

## Electrical data

Operating Voltage	10...30VDC
No-Load supply current	$\leq 25\text{mA}$
Load current	$\leq 100\text{mA}$
Leakage current	$\leq 10\mu\text{A}$
Output voltage drop	$\leq 1,2\text{V}@I_{\text{load}}=100\text{mA}$
Max ripple content	$\leq 10\%$
LED indicators	Red (output status) o (alineament), Green (stability)
Time delay before availability	$\leq 200\text{ms}$
Short-circuit protection	Yes

Reverse Polarity Protection	Yes
Emission	LED Infrared (880nm)
Interference to external light	≥ 5000lux (incandescent lamp)

#### Mechanical data

Dimensions	26x86,6x61
Weight	90g
Housing Material	PC
Connections	M12 plug
Active Head Material	PMMA
Operating temperature	- 25°C...+ 70°C ( without freeze)
Diameter/Dimension	Cubic

#### Test/Approvals

Approvals	CE cULus
EMC compatibility	EN 60947-5-2
Shocks and vibrations	Vibration IEC 60068-2-6 / Shock IEC 60068-2-28
Degree of protection	IP65

#### Accessories

Supplied Accessories	ST81 mounting bracket and screws
----------------------	----------------------------------

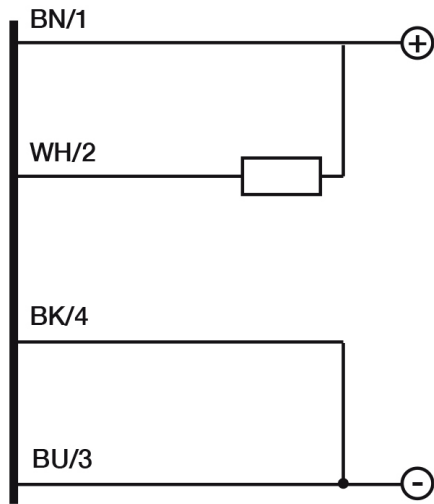
## Generical Data

Dimensions	26x86,6x61
Operating Temperature	- 25°C...+ 70°C (Without freeze)
Mechanical Protection	IP65

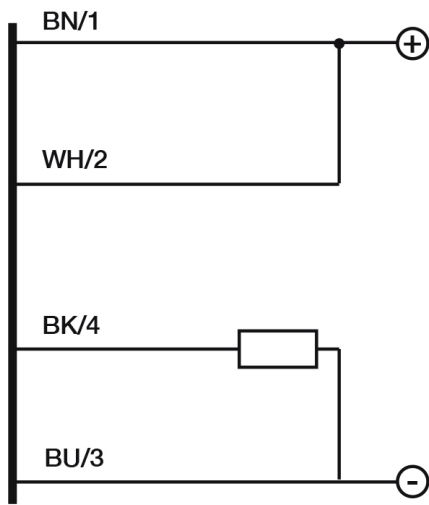
# CONNECTIONS

Electrical diagram

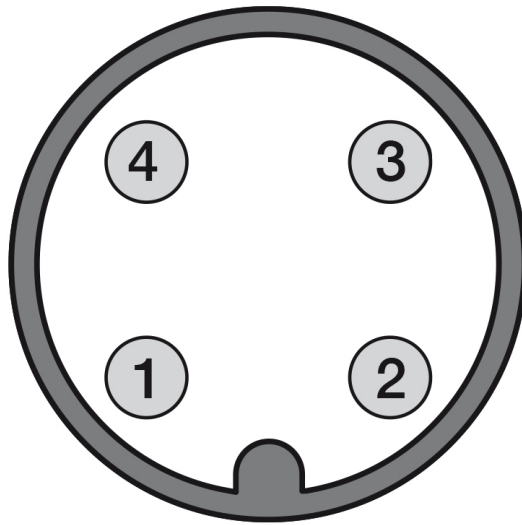
NPN



PNP

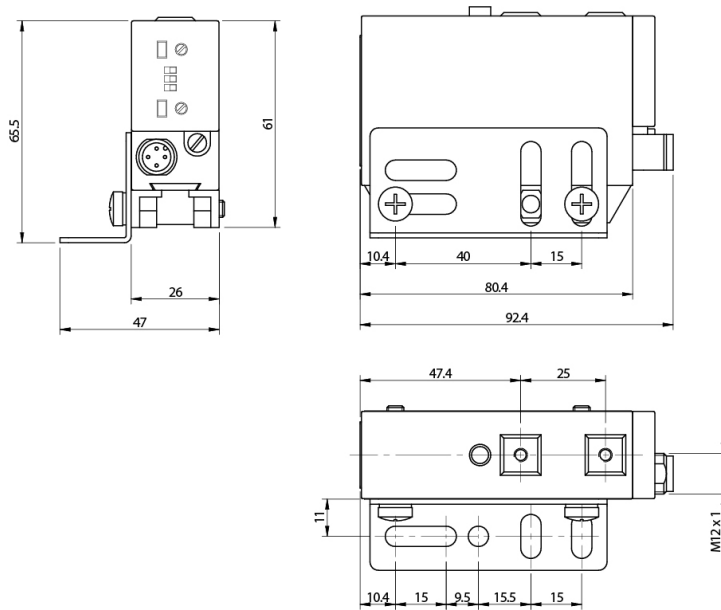


Connector

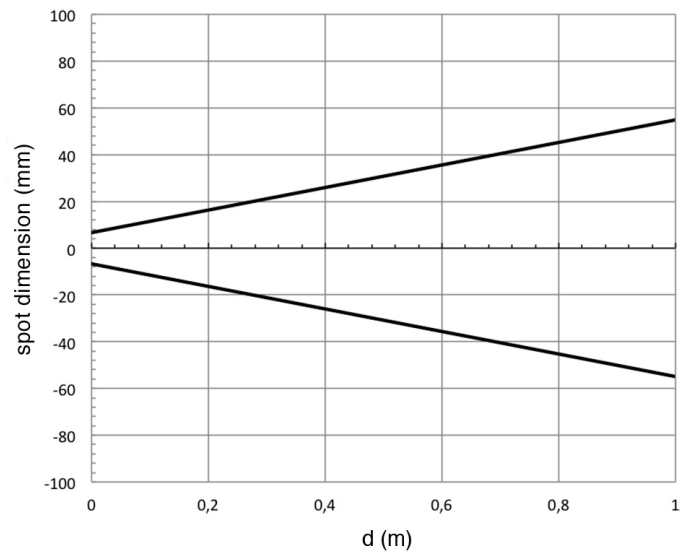


## OTHERS

### Dimensions



### Response curves



**Datasensing  
S.r.l.**

Strada S.Caterina, 235  
41122 Modena (MO)  
Tel. 059 420411  
Fax 059 253973  
E-mail  
info@datasensing.com

**date of  
printing**  
05/05/2025  
11:37:41