



# QX

## QX3/C0-1E

Photo.Min, NPN+PNP-NC, M12 plug, Diffuse  
DC MINIATURIZED CUBIC PHOTOELECTRIC SENSORS

## OVERVIEW

- Axial and right angle optics
- 2 LEDs (threshold and signal margin)
- Visible red light in retro-reflective, polarized and through-beam models
- Long distances capability
- Precision beam
- Fast response time (0,75-0,5 ms)
- NPN-PNP selectable output
- High output current (>300 mA)



## TECHNICAL FEATURES

### Detection properties

Nominal sensing distance	300mm
Repeat Accuracy	≤ 5%
Sensitivity adjustment	Trimmer

### Application

Function Principle	Diffuse reflection (medium distance, ≤600mm)
--------------------	--

Optic position	Axial
----------------	-------

#### Outputs

Output type	NPN/PNP Selectable NC
-------------	-----------------------

Output Function	NC
-----------------	----

Switching frequency	750Hz
---------------------	-------

Response time	666 $\mu$ s
---------------	-------------

#### Electrical data

Operating Voltage	10...30VDC
-------------------	------------

No-Load supply current	$\leq 20$ mA
------------------------	--------------

Load current	$\leq 300$ mA
--------------	---------------

Leakage current	$\leq 100\mu$ A @ 30Vdc
-----------------	-------------------------

Output voltage drop	$\leq 1,2$ V@Iload=100mA
---------------------	--------------------------

Max ripple content	$\leq 10\%$
--------------------	-------------

LED indicators	Red(output status) , Geen (stability)
----------------	---------------------------------------

Time delay before availability	$\leq 200$ ms
--------------------------------	---------------

Short-circuit protection	Yes
--------------------------	-----

Reverse Polarity Protection	Yes
-----------------------------	-----

Emission	LED Infrared (880nm)
----------	----------------------

Interference to external light	3000lux Incandescent Lamp, 10000lux
--------------------------------	-------------------------------------

#### Mechanical data

Dimensions	15x23x47
------------	----------

Weight	70g
--------	-----

Housing Material	
------------------	--

Connections	M12 plug
-------------	----------

Active Head Material	Acrylic
----------------------	---------

Operating temperature	- 25°C...+ 70°C ( without freeze)
-----------------------	-----------------------------------

Material	ABS
----------	-----

Diameter/Dimension	Cubic
--------------------	-------

#### Test/Approvals

Approvals	CE
-----------	----

EMC compatibility	EN 60947-5-2
-------------------	--------------

Shocks and vibrations	Vibration IEC 60068-2-6 / Shock IEC 60068-2-28
-----------------------	--

Degree of protection	IP65
----------------------	------

#### Accessories

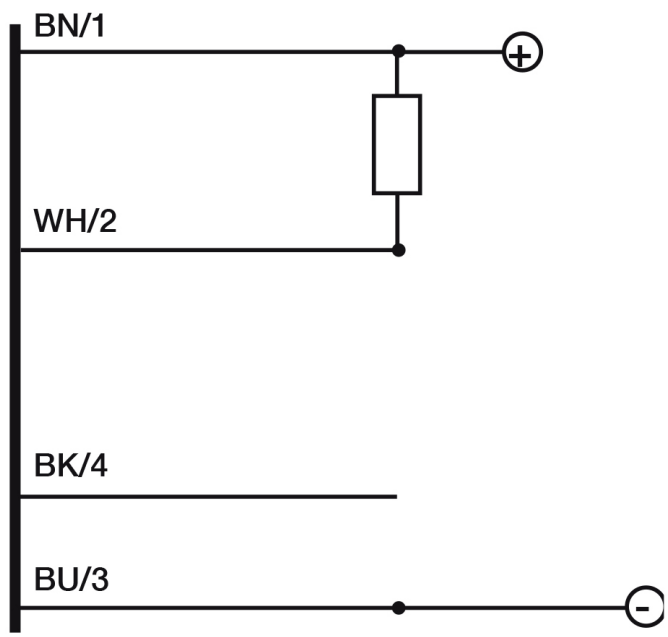
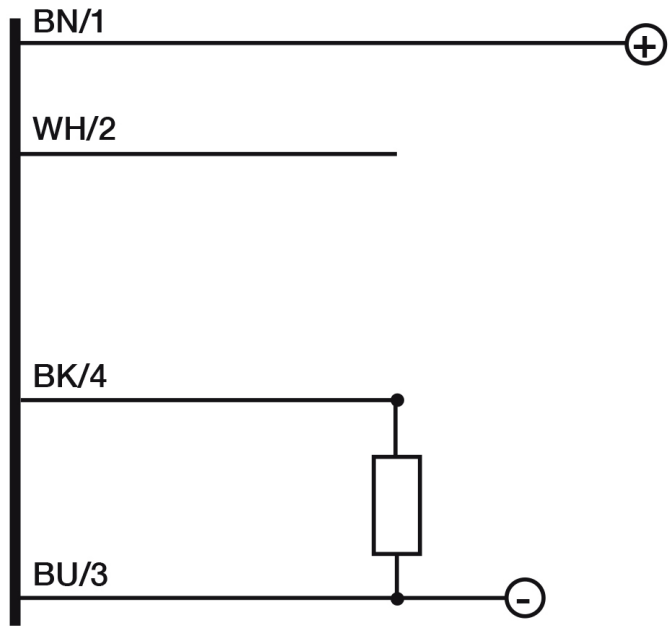
Supplied Accessories	ST70 mounting brackets and screws
----------------------	-----------------------------------

#### Generical Data

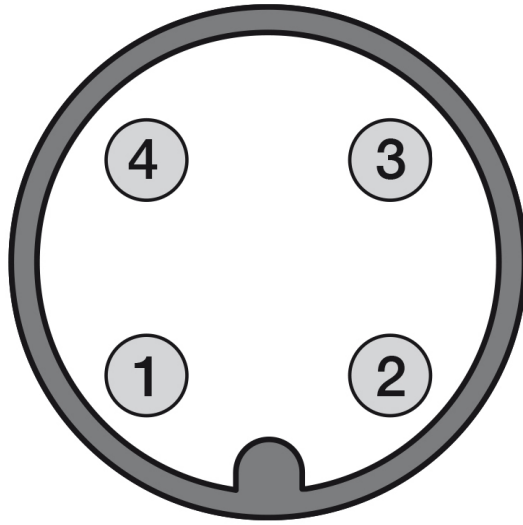
Dimensions	15x23x40
Operating Temperature	- 25°C...+ 70°C (Without freeze)
Mechanical Protection	IP65

# CONNECTIONS

Electrical diagram

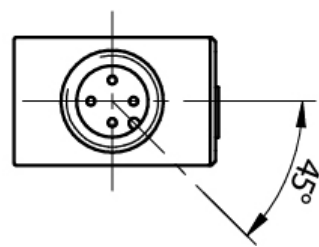
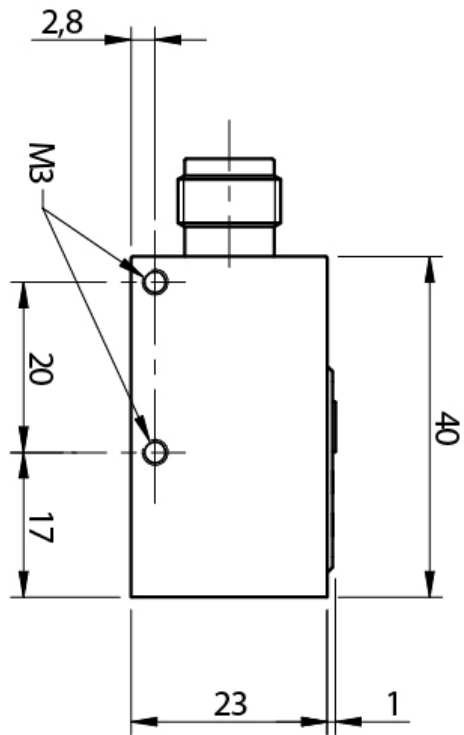
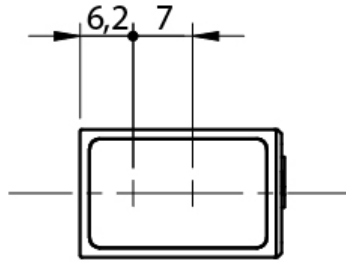


Connector

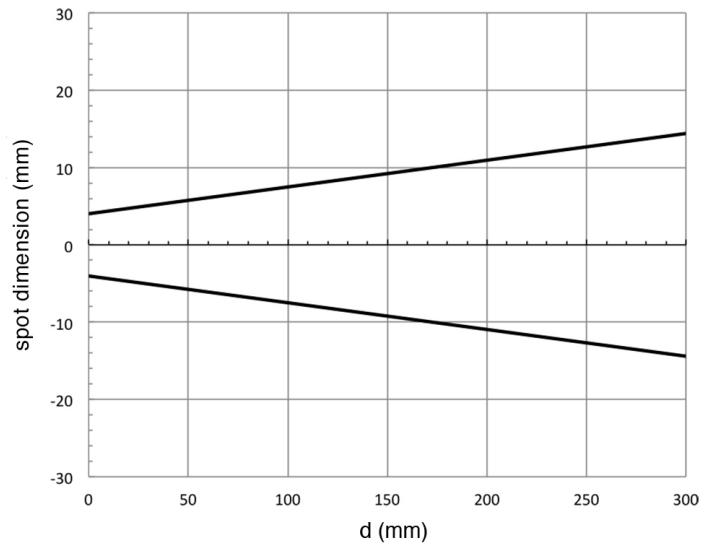


# OTHERS

Dimensions



Response curves



**Datasensing  
S.r.l.**

Strada S.Caterina, 235  
41122 Modena (MO)  
Tel. 059 420411  
Fax 059 253973  
E-mail  
info@datasensing.com

**date of  
printing**  
19/04/2026  
05:31:23