



QX

QX3/A0-2E

Photo.Mini,NPN+PNP-NO,M12 plug,Diffuse
DC MINIATURIZED CUBIC PHOTOELECTRIC SENSORS

OVERVIEW

- Axial and right angle optics
- 2 LEDs (threshold and signal margin)
- Visible red light in retro-reflective, polarized and through-beam models
- Long distances capability
- Precision beam
- Fast response time (0,75-0,5 ms)
- NPN-PNP selectable output
- High output current (>300 mA)



TECHNICAL FEATURES

Detection properties

Nominal sensing distance	300mm
--------------------------	-------

Repeat Accuracy	≤ 5%
-----------------	------

Sensitivity adjustment	Trimmer
------------------------	---------

Application

Function Principle	Diffuse reflection (medium distance, ≤600mm)
--------------------	--

Optic position	Radial 90°
----------------	------------

Outputs

Output type	NPN/PNP Selectable NO
-------------	-----------------------

Output Function	NO
-----------------	----

Switching frequency	750Hz
---------------------	-------

Response time	666μs
---------------	-------

Electrical data

Operating Voltage	10...30VDC
-------------------	------------

No-Load supply current	≤ 20mA
------------------------	--------

Load current	≤300mA
--------------	--------

Leakage current	≤ 100μA @ 30Vdc
-----------------	-----------------

Output voltage drop	≤1,2V@Iload=100mA
---------------------	-------------------

Max ripple content	≤10%
--------------------	------

LED indicators	Red(output status) , Geen (stability)
----------------	---------------------------------------

Time delay before availability	≤200ms
--------------------------------	--------

Short-circuit protection	Yes
--------------------------	-----

Reverse Polarity Protection	Yes
-----------------------------	-----

Emission	LED Infrared (880nm)
----------	----------------------

Interference to external light	3000lux Incandescent Lamp, 10000lux
--------------------------------	-------------------------------------

Mechanical data

Dimensions	15x23x44
------------	----------

Material	ABS
----------	-----

Housing material	
------------------	--

Weight	70g
--------	-----

Connections	M12 plug
-------------	----------

Active Head Material	Acrylic
----------------------	---------

Operating temperature	- 25°C...+ 70°C (without freeze)
-----------------------	-----------------------------------

Diameter/Dimension	Cubic
--------------------	-------

Test/Approvals

Approvals	CE
-----------	----

EMC compatibility	EN 60947-5-2
-------------------	--------------

Shocks and vibrations	Vibration IEC 60068-2-6 / Shock IEC 60068-2-28
-----------------------	--

Degree of protection	IP65
----------------------	------

Accessories

Supplied Accessories	ST70 mounting brackets and screws
----------------------	-----------------------------------

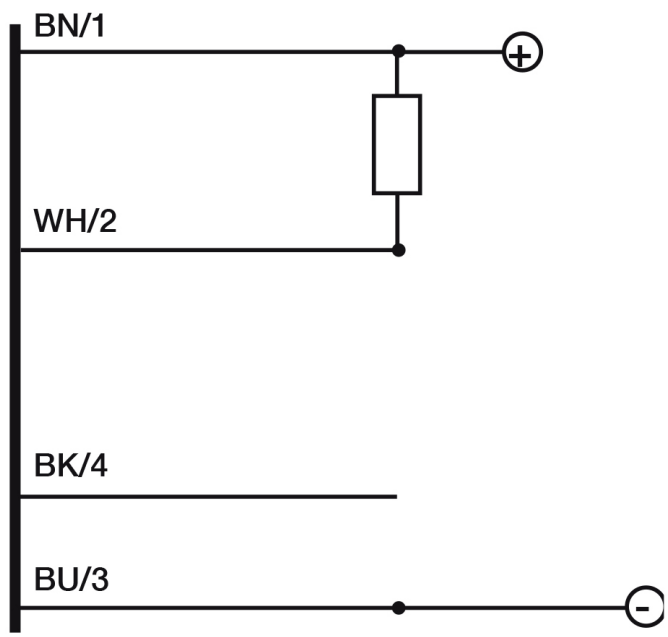
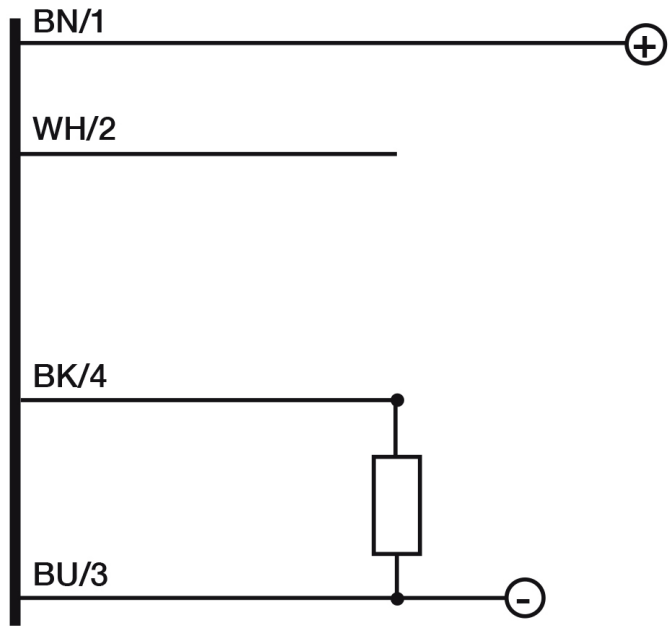
Generical Data

--	--

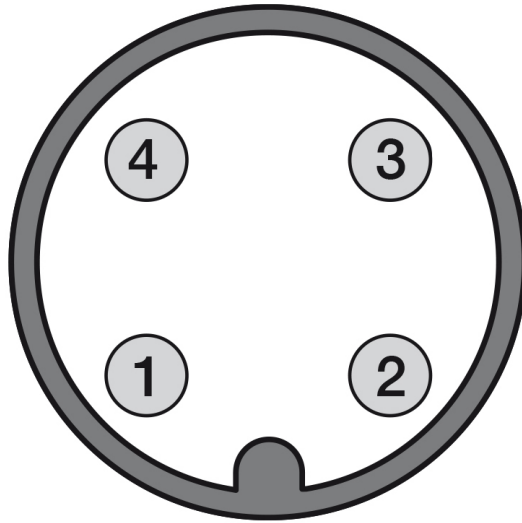
Dimensions	15x23x40
Operating Temperature	- 25°C...+ 70°C (Without freeze)
Mechanical Protection	IP65

CONNECTIONS

Electrical diagram

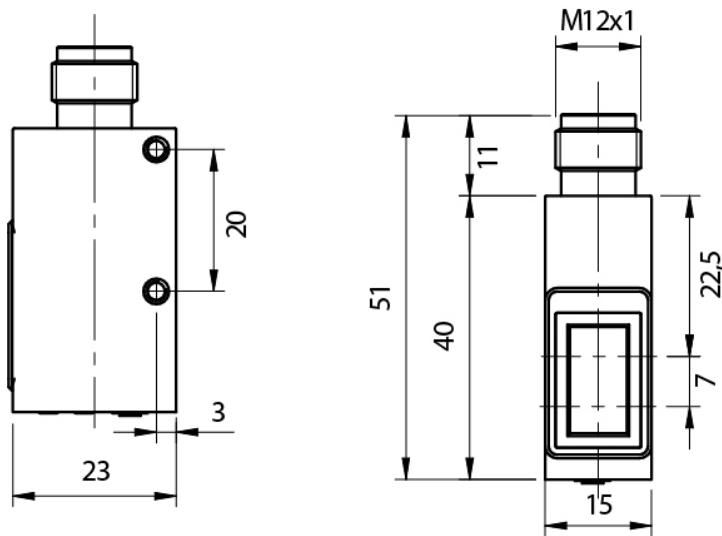


Connector

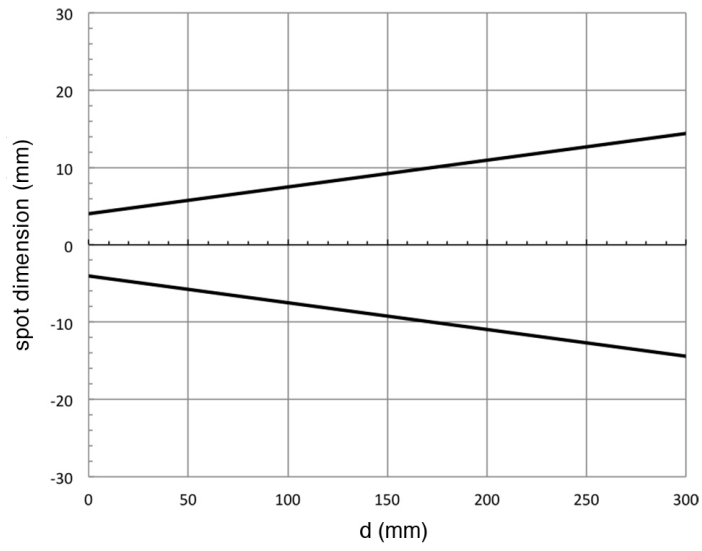


OTHERS

Dimensions



Response curves



**Datasensing
S.r.l.**

Strada S.Caterina, 235
41122 Modena (MO)
Tel. 059 420411
Fax 059 253973
E-mail
info@datasensing.com

**date of
printing**
19/06/2026
11:44:26