



QMRS

QMRS/0P-0F

Photo.Min,PNP-NO/NC,M8 plug,BGS
MINIATURIZED PHOTOELECTRIC SENSORS WITH HIGH
PERFORMANCE

OVERVIEW



TECHNICAL FEATURES

Detection properties

Nominal sensing distance	200mm
Thermal drift of Sr	$\leq 10\%$ Sr
Repeat Accuracy	5%
Sensitivity adjustment	Trimmer
Minimum sensing distance (blind zone)	30mm

Application

Function Principle	Background suppression
--------------------	------------------------

Notes	white target Kodak 90% 200 x 200mm
Optic position	Radial 90°
Outputs	
Output type	PNP L/D Selectable
Output Function	L/D Selectable
Switching frequency	1kHz
Response time	500µs
Electrical data	
Operating Voltage	10...30VDC
No-Load supply current	≤ 30mA
Load current	≤100mA
Leakage current	≤10µA
Output voltage drop	≤2V@Iload=100mA
Max ripple content	≤10%
LED indicators	Yellow (status output)
Time delay before availability	≤200ms
Short-circuit protection	Yes
Reverse Polarity Protection	Yes

Emission	LED Red (630nm)
Interference to external light	3000lux (incandescent lamp), 10000lux (sunlight)
Impulsive Overvoltage Protection	Yes

Mechanical data

Dimensions	40,6x21x13mm
Housing material	PA66
Weight	10g
Connections	M8 plug 4pin
Active Head Material	PMMA
Tightening torque	1Nm
Operating temperature	- 25°C...+ 70° C (Without freeze)
Storage temperature	- 30°C...+ 80° C (Without freeze)
Diameter/Dimension	Cubic

Test/Approvals

Approvals	CE cULus
EMC compatibility	EN 60947-5-2
Shocks and vibrations	Vibration IEC 60068-2-6 / Shock IEC 60068-2-27
Degree of protection	IP67

Generical Data

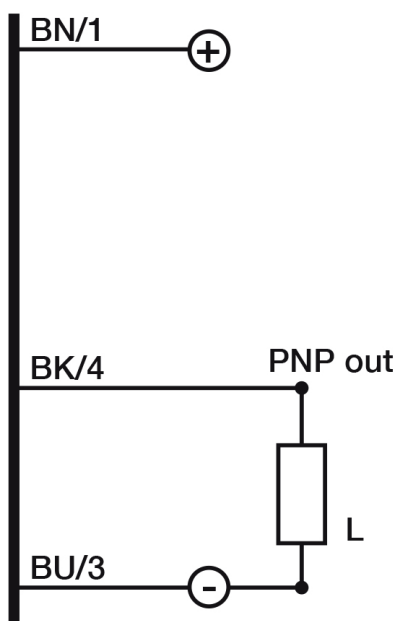
Dimensions 40,6x21x13mm

Operating Temperature - 25°C...+ 70°C (Without freeze)

Mechanical Protection IP67

CONNECTIONS

Electrical diagram

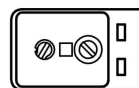
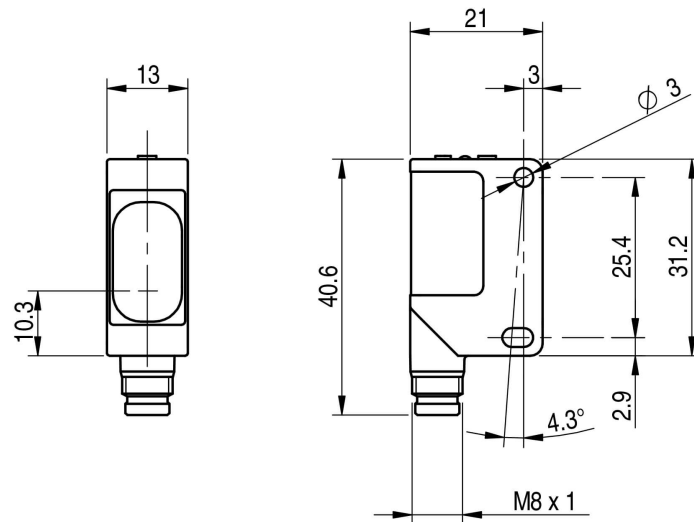


Connector

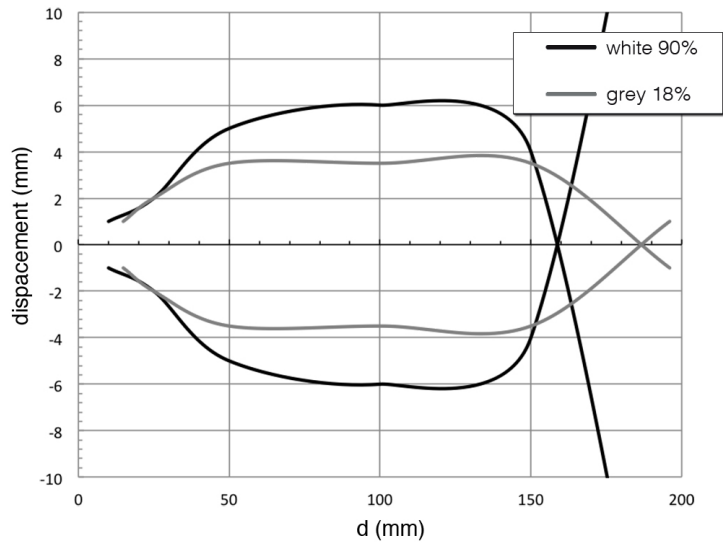


OTHERS

Dimensions



Response curves



**Datasensing
S.r.l.**

Strada S.Caterina, 235
41122 Modena (MO)
Tel. 059 420411
Fax 059 253973
E-mail
info@datasensing.com

**date of
printing**
15/06/2026
10:27:53