



# QMRS

## QMRS/0N-0A

Photo.Min, NPN-NO/NC, Cable, BGS  
 MINIATURIZED PHOTOELECTRIC SENSORS WITH HIGH PERFORMANCE

## OVERVIEW



## TECHNICAL FEATURES

### Detection properties

Nominal sensing distance	200mm
Thermal drift of Sr	≤10% Sr
Repeat Accuracy	5%
Sensitivity adjustment	Trimmer
Minimum sensing distance (blind zone)	30mm

### Application

Function Principle	Background suppression
--------------------	------------------------

Notes	white target Kodak 90% 200 x 200mm
Optic position	Radial 90°
<b>Outputs</b>	
Output type	NPN L/D Selectable
Output Function	L/D Selectable
Switching frequency	1kHz
Response time	500µs
<b>Electrical data</b>	
Operating Voltage	10...30VDC
No-Load supply current	≤ 30mA
Load current	≤100mA
Leakage current	≤10µA
Output voltage drop	≤2V@Iload=100mA
Max ripple content	≤10%
LED indicators	Yellow (status output)
Time delay before availability	≤200ms
Short-circuit protection	Yes
Reverse Polarity Protection	Yes

Emission	LED Red (630nm)
Interference to external light	3000lux (incandescent lamp), 10000lux (sunlight)
Impulsive Overvoltage Protection	Yes

#### Mechanical data

Dimensions	31,2x21x13mm
Housing material	PA66
Weight	52g
Connections	2m PVC cable
Active Head Material	PMMA
Tightening torque	1Nm
Operating temperature	- 25°C...+ 70° C (Without freeze)
Storage temperature	- 30°C...+ 80° C (Without freeze)
Diameter/Dimension	Cubic

#### Test/Approvals

Approvals	CE cULus
EMC compatibility	EN 60947-5-2
Shocks and vibrations	Vibration IEC 60068-2-6 / Shock IEC 60068-2-27
Degree of protection	IP67

## Generical Data

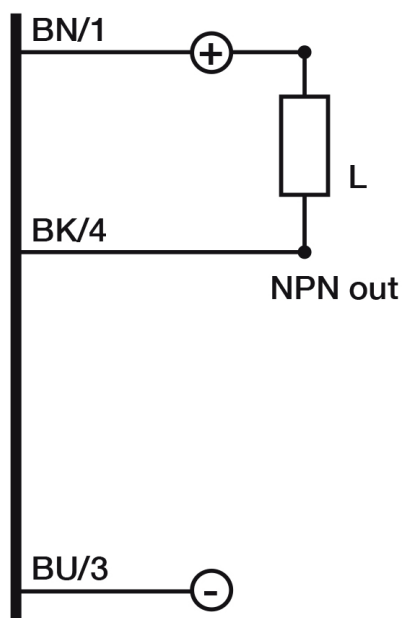
Dimensions 31,2x21x13mm

Operating Temperature - 25°C...+ 70°C (Without freeze)

Mechanical Protection IP67

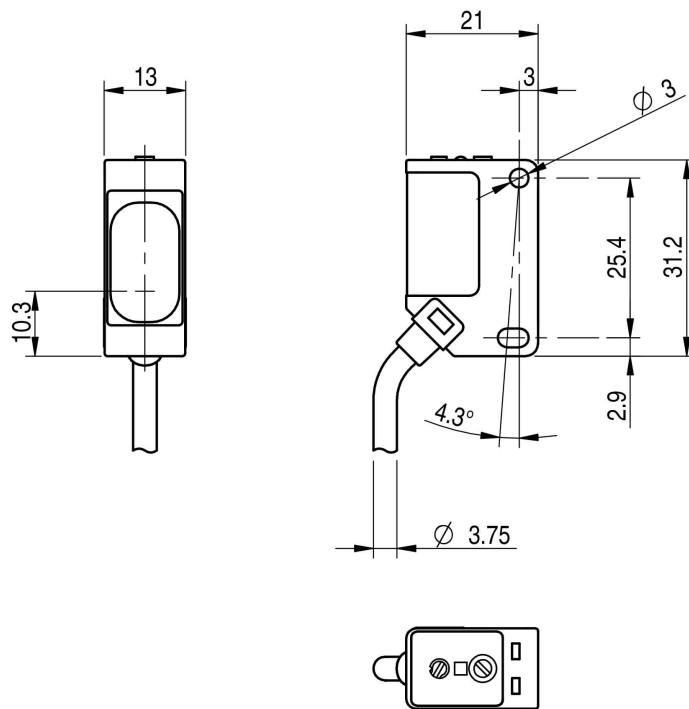
## CONNECTIONS

Electrical diagram

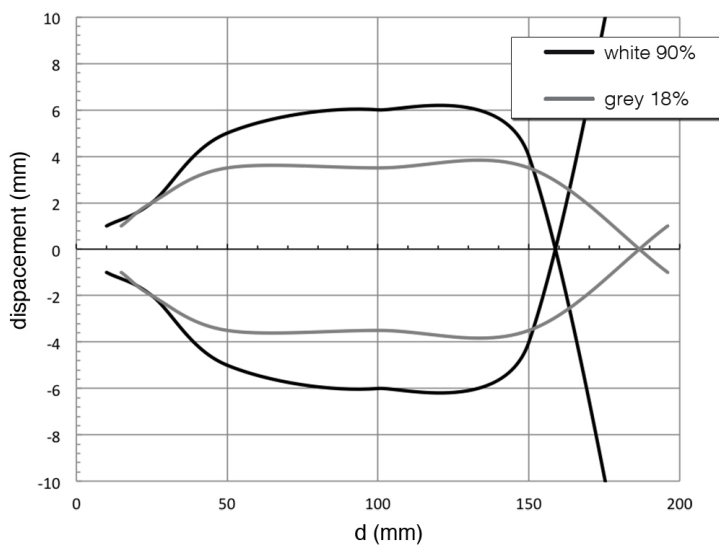


## OTHERS

Dimensions



Response curves



**Datasensing  
S.r.l.**

Strada S.Caterina, 235  
41122 Modena (MO)  
Tel. 059 420411  
Fax 059 253973  
E-mail  
info@datasensing.com

**date of  
printing**  
19/06/2026  
10:29:24