



# QM

## QMRHD/0P-0A

**Photo.Min,PNP-NO/NC,Cable,Emit+Receiv**  
**MINIATURIZED PHOTOELECTRIC SENSORS WITH HIGH PERFORMANCE**

## OVERVIEW

- Cubic miniaturized photoelectric high-performance sensors with long sensing distance
- 2 kHz switching frequency, background suppression with mechanical adjustment
- Wide range of models: diffuse reflection with short, medium and long sensing distance, polarized, reflective for transparent objects, through-beam and background suppression
- Available with cable and M8 plug exit or with M8-M12 pig-tail
- Selectable LO/DO output state
- Completely filled with resin (except background suppression models)
- Complete protection against electrical damages



## TECHNICAL FEATURES

### Detection properties

Nominal sensing distance	20m
Thermal drift of Sr	≤10% Sr
Repeat Accuracy	5%
Sensitivity adjustment	Trimmer

## Application

Function Principle	Emitter and Receiver
Optic position	Radial 90°
Emitter Code	
Receiver Code	

## Outputs

Output type	PNP L/D Selectable
Output Function	L/D Selectable
Switching frequency	2kHz
Response time	250μs

## Electrical data

Operating Voltage	10...30VDC
No-Load supply current	≤45mA
Load current	≤100mA
Leakage current	≤10μA
Output voltage drop	≤2V@Iload=100mA
Max ripple content	≤10%
LED indicators	Yellow (status output), green (stability)
Time delay before availability	≤200ms

Short-circuit protection	Yes
Reverse Polarity Protection	Yes
Emission	LED Red (630nm)
Interference to external light	3000lux (incandescent lamp), 10000lux (sunlight)
Impulsive Overvoltage Protection	Yes

#### Mechanical data

Dimensions	
Housing material	PA66
Weight	
Connections	2m PVC cable
Active Head Material	PMMA
Tightening torque	1Nm
Operating temperature	
Storage temperature	- 30°C...+ 80° C (Without freeze)
Diameter/Dimension	Cubic

#### Test/Approvals

Approvals	CE cULus
EMC compatibility	EN 60947-5-2

Shocks and vibrations	Vibration IEC 60068-2-6 / Shock IEC 60068-2-27
-----------------------	--

Degree of protection	IP67
----------------------	------

#### Generical Data

Dimensions	31,2x21x13mm
------------	--------------

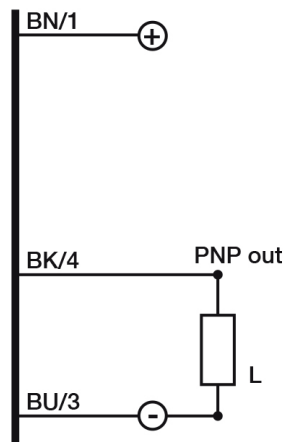
Operating Temperature	- 25°C...+ 70°C (Without freeze)
-----------------------	----------------------------------

Mechanical Protection	IP67
-----------------------	------

## CONNECTIONS

Eletrical diagram

QM\*\*/0P

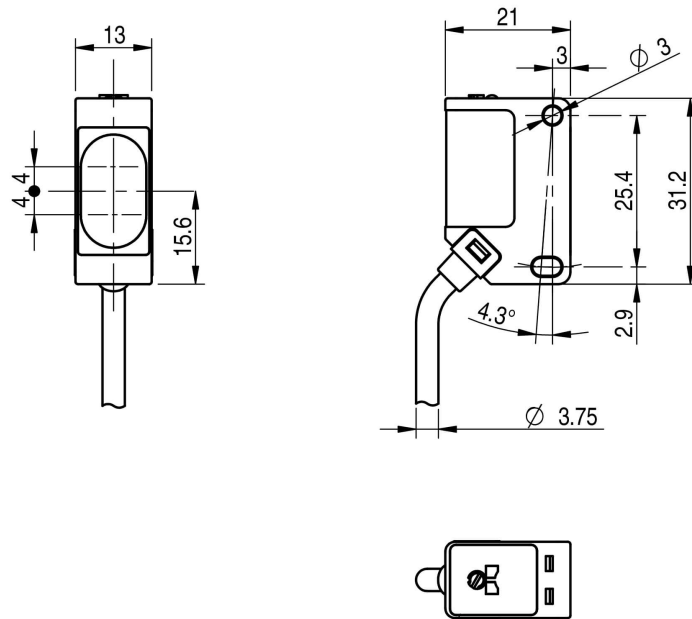


QM\*H

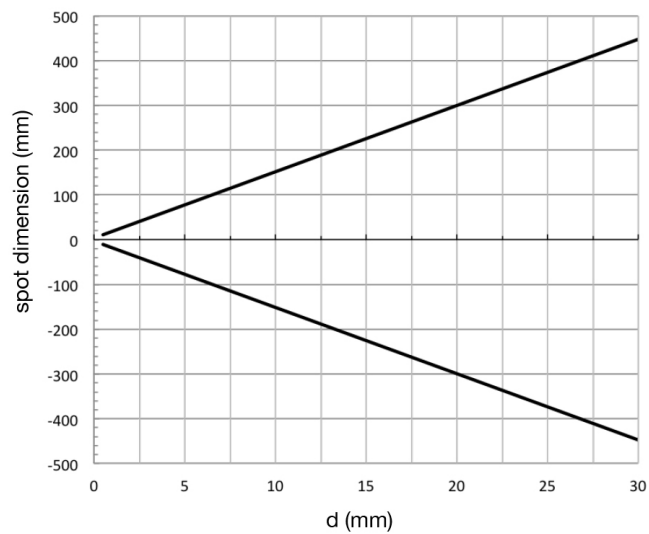


OTHERS

Dimensions



### Response curves



### Datasensing S.r.l.

Strada S.Caterina, 235  
41122 Modena (MO)  
Tel. 059 420411  
Fax 059 253973  
E-mail  
info@datasensing.com

**date of  
printing**  
19/06/2026  
13:52:20