



# Q50

## Q50RN/0T-0A

**Photo.50x50,Relay-NO+NC,Cable,Diffuse**  
 COMPACT CUBIC 50 X 50 MM UNIVERSAL  
 PHOTOELECTRIC SENSOR

## OVERVIEW

- Universal photoelectric sensor, excellent performances and high versatility due to the wide choice of different versions available
- Cable output or revolving connector, NPN/PNP outputs for Vdc models or SPDT relay output for multi -voltage Vdc / Vac models
- Complementary outputs NO + NC available on the Vdc models or selectable output NO/NC available on the multi-voltage Vdc/Vac models
- Totally protected against electrical damages
- Wide choice of optical functions available: Diffuse: 2 m; background suppression: 500 mm; polarized: 6m; through beam: 20 m. Dual multifunction output state LEDs

## TECHNICAL FEATURES

### Detection properties

Nominal sensing distance	6m
Sensitivity adjustment	Trimmer
Minimum sensing distance (blind zone)	0,2m

### Application

Function Principle	Polarized
--------------------	-----------

Optic position	Axial
----------------	-------

#### Outputs

Output type	Relay SPDT NO+NC
-------------	------------------

Output Function	NO+NC
-----------------	-------

Switching frequency	20Hz
---------------------	------

Response time	25ms
---------------	------

#### Electrical data

Operating Voltage	12...240VDC /24...240VAC/50-60Hz
-------------------	----------------------------------

No-Load supply current	2,5VA ( relay ON)
------------------------	-------------------

LED indicators	Yellow (Output status), Green (stability, powerON)
----------------	--

Time delay before availability	≤200ms
--------------------------------	--------

Short-circuit protection	Yes
--------------------------	-----

Reverse Polarity Protection	Yes
-----------------------------	-----

Emission	LED Red (660nm)
----------	-----------------

#### Mechanical data

Dimensions	50X50mm
------------	---------

Material	PC/ABS
----------	--------

Housing material	PC/ABS
------------------	--------

Weight	200g
Connections	2m PVC cable
Active Head Material	PMMA
Operating temperature	- 20°C...+ 60°C ( UL omologation 0°C...60°C)
Diameter/Dimension	Cubic

#### Test/Approvals

EMC compatibility	EN 60947-5-2
Shocks and vibrations	Vibration IEC 60068-2-6 / Shock IEC 60068-2-64
Degree of protection	IP67

#### Accessories

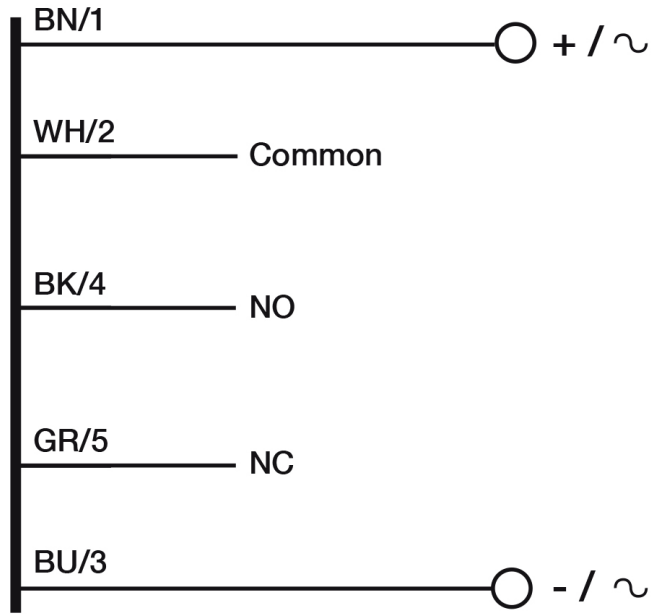
Supplied Accessories	Mounting bracket
----------------------	------------------

#### Generical Data

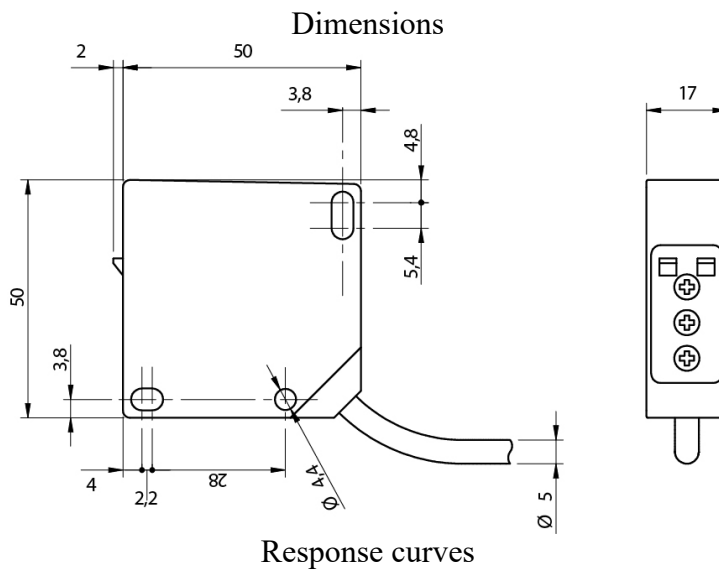
Dimensions	50x50x17mm
Operating Temperature	- 20°C...+ 60°C (Without freeze)
Mechanical Protection	IP67

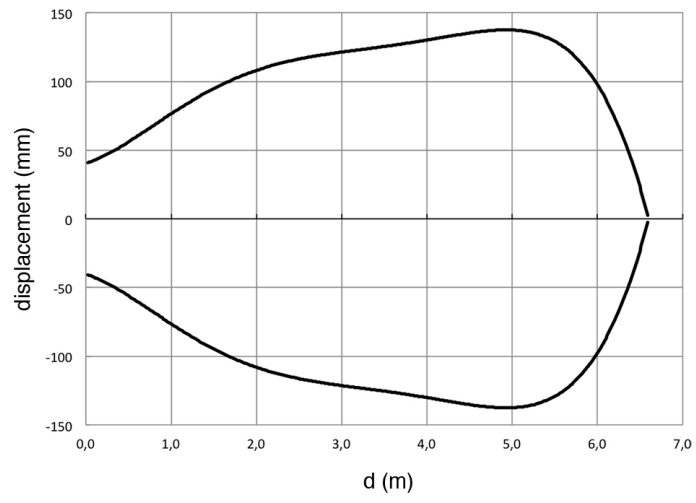
# CONNECTIONS

Electrical diagram



## OTHERS





**Datasensing  
S.r.l.**

Strada S.Caterina, 235  
41122 Modena (MO)  
Tel. 059 420411  
Fax 059 253973  
E-mail  
info@datasensing.com

**date of  
printing**  
13/06/2026  
13:47:33