

PS

PSC/AP-0C

Photo.Min,PNP-NO,Cable 90°,Reflex
DC MINIATURIZED CUBIC PHOTOELECTRIC SENSORS



OVERVIEW

- Wide range of models: diffuse, retro-reflective, through-beam
- Extremely reduced dimensions
- High sensing distance
- Sensitivity adjustment
- Standard cable exit or M12 plug exit
- LED status indicator
- IP65 protection degree
- Complete protection against electrical damage



TECHNICAL FEATURES

Detection properties

Nominal sensing distance	3m
Thermal drift of Sr	$\leq 10\%$ Sr
Repeat Accuracy	$\leq 5\%$
Sensitivity adjustment	Trimmer

Application

Function Principle	Retroreflective
Optic position	Axial

Outputs

Output type	PNP NO
Output Function	NO
Switching frequency	100Hz
Response time	5ms

Electrical data

Operating Voltage	10...30VDC
No-Load supply current	$\leq 30\text{mA}$
Load current	$\leq 100\text{mA}$
Leakage current	$\leq 10\mu\text{A} @ V_{\text{max}}$
Output voltage drop	$\leq 1,2\text{V} @ I_{\text{load}}=100\text{mA}$
Max ripple content	$\leq 10\%$
LED indicators	red (output state)
Time delay before availability	$\leq 200\text{ms}$
Short-circuit protection	Yes
Reverse Polarity Protection	Yes

Emission	LED Infrared (880nm)
Interference to external light	3000lux Incandescent Lamp, 10000lux

Mechanical data

Dimensions	15x54,5X26mm
Weight	90g
Housing Material	ABS
Connections	2m PVC cable 90°
Active Head Material	PMMA
Operating temperature	- 25°C...+ 70°C (without freeze)
Material	
Diameter/Dimension	Cubic

Test/Approvals

Approvals	CE
EMC compatibility	EN 60947-5-2
Shocks and vibrations	Vibration IEC 60068-2-6 / Shock IEC 60068-2-27
Degree of protection	IP65

Accessories

Supplied Accessories	ST07 mounting bracket and screws
----------------------	----------------------------------

Generical Data

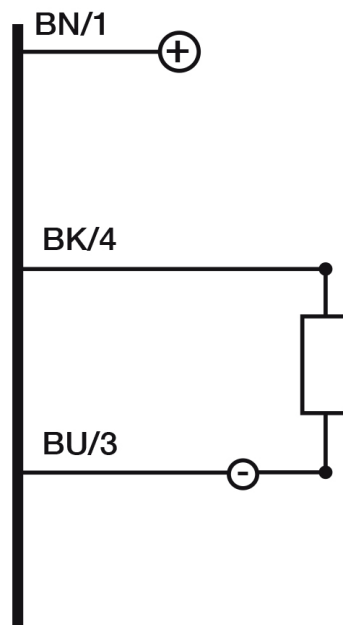
Dimensions 15x54,5X26mm

Operating Temperature - 25°C...+ 70°C (Without freeze)

Mechanical Protection IP65

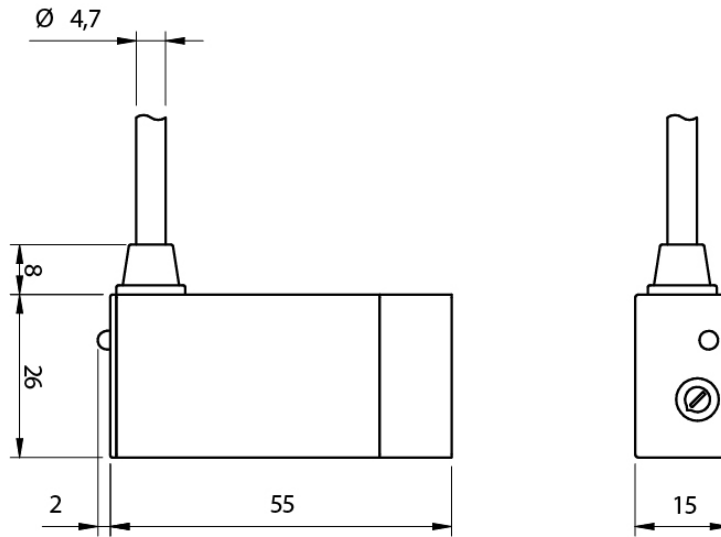
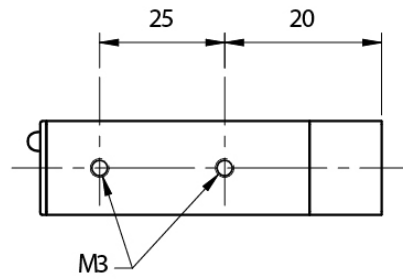
CONNECTIONS

Electrical diagram

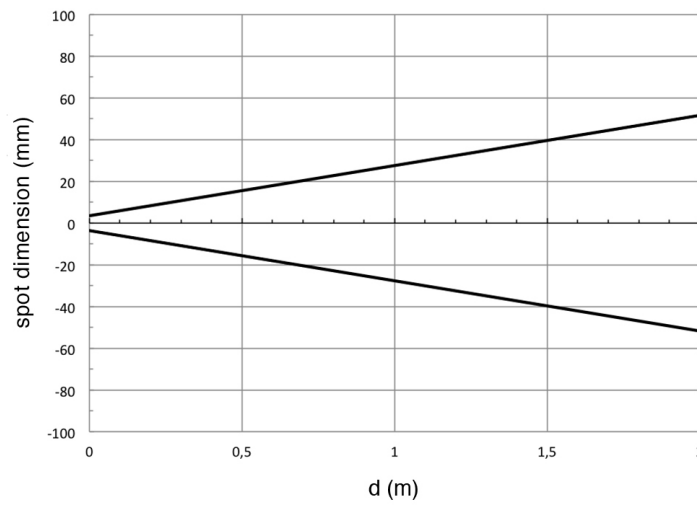


OTHERS

Dimensions



Response curves



**Datasensing
S.r.l.**

Strada S.Caterina, 235
41122 Modena (MO)
Tel. 059 420411

**date of
printing**
05/04/2026
12:02:57

Fax 059 253973

E-mail

info@datasensing.com