



PS

PS4/AP-0E

Photo.Min,PNP-NO,M12 plug,Diffuse
DC MINIATURIZED CUBIC PHOTOELECTRIC SENSORS

OVERVIEW

- Wide range of models: diffuse, retro-reflective, through-beam
- Extremely reduced dimensions
- High sensing distance
- Sensitivity adjustment
- Standard cable exit or M12 plug exit
- LED status indicator
- IP65 protection degree
- Complete protection against electrical damage



TECHNICAL FEATURES

Detection properties

Nominal sensing distance	200mm
Thermal drift of Sr	$\leq 10\%$ Sr
Repeat Accuracy	$\leq 5\%$
Sensitivity adjustment	Trimmer

Application

Function Principle	Diffuse reflection (short distance, $\leq 200\text{mm}$)
Optic position	Axial

Outputs

Output type	PNP NO
Output Function	NO
Switching frequency	100Hz
Response time	5ms

Electrical data

Operating Voltage	10...30VDC
No-Load supply current	$\leq 30\text{mA}$
Load current	$\leq 100\text{mA}$
Leakage current	$\leq 10\mu\text{A}$ @ V_{max}
Output voltage drop	$\leq 1,2\text{V}$ @ $I_{\text{load}}=100\text{mA}$
Max ripple content	$\leq 10\%$
LED indicators	red (output state)
Time delay before availability	$\leq 200\text{ms}$
Short-circuit protection	Yes
Reverse Polarity Protection	Yes

Emission	LED Infrared (880nm)
Interference to external light	3000lux Incandescent Lamp, 10000lux

Mechanical data

Dimensions	15x49x26mm
Material	
Housing material	ABS
Weight	90g
Connections	M12 plug 90°
Active Head Material	PMMA
Operating temperature	- 25°C...+ 70°C (without freeze)
Diameter/Dimension	Cubic

Test/Approvals

Approvals	CE
EMC compatibility	EN 60947-5-2
Shocks and vibrations	Vibration IEC 60068-2-6 / Shock IEC 60068-2-27
Degree of protection	IP66

Accessories

Supplied Accessories	ST07 mounting bracket and screws
----------------------	----------------------------------

Generical Data

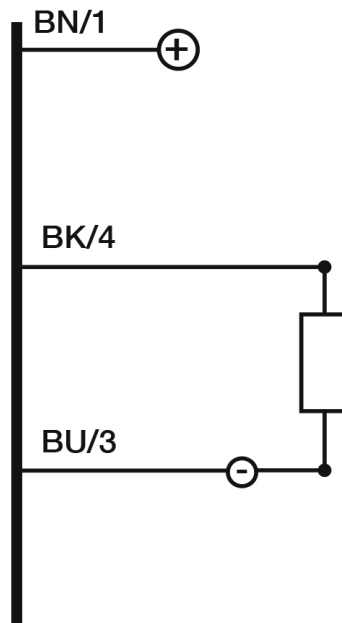
Dimensions 15x49x26mm

Operating Temperature - 25°C...+ 70°C (Without freeze)

Mechanical Protection IP66

CONNECTIONS

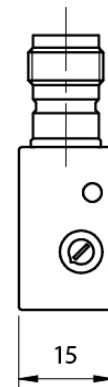
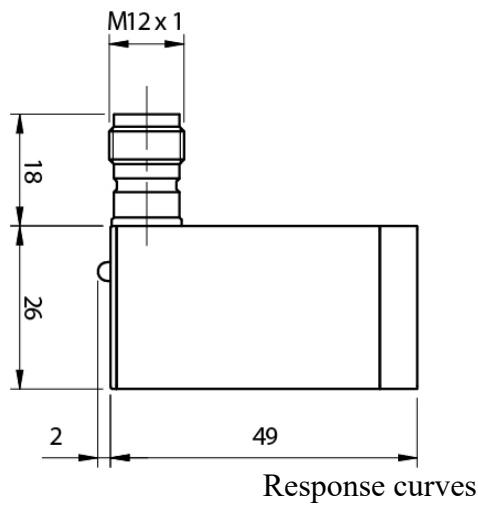
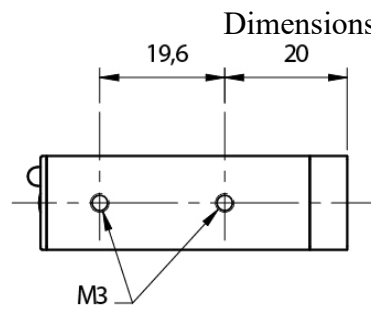
Electrical diagram



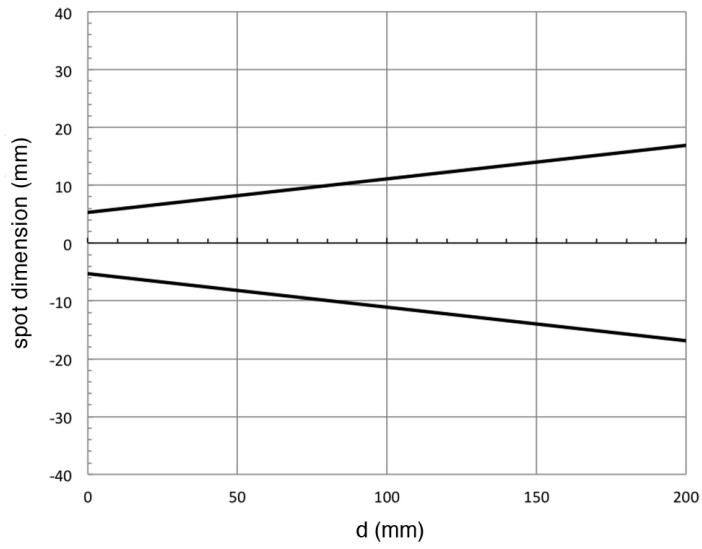
Connector



OTHERS



Response curves



**Datasensing
S.r.l.**

Strada S.Caterina, 235
41122 Modena (MO)
Tel. 059 420411
Fax 059 253973
E-mail
info@datasensing.com

**date of
printing**
17/06/2026
10:20:21