



# PS

## PS2/AP-0E

Photo.Min,PNP-NO,M12 plug,Diffuse  
DC MINIATURIZED CUBIC PHOTOELECTRIC SENSORS

## OVERVIEW

- Wide range of models: diffuse, retro-reflective, through-beam
- Extremely reduced dimensions
- High sensing distance
- Sensitivity adjustment
- Standard cable exit or M12 plug exit
- LED status indicator
- IP65 protection degree
- Complete protection against electrical damage



## TECHNICAL FEATURES

### Detection properties

Nominal sensing distance	100mm
Thermal drift of Sr	$\leq 10\%$ Sr
Repeat Accuracy	$\leq 5\%$
Sensitivity adjustment	Trimmer

## Application

Function Principle	Diffuse reflection (short distance, $\leq 200\text{mm}$ )
Optic position	Axial

## Outputs

Output type	PNP NO
Output Function	NO
Switching frequency	100Hz
Response time	5ms

## Electrical data

Operating Voltage	10...30VDC
No-Load supply current	$\leq 30\text{mA}$
Load current	$\leq 100\text{mA}$
Leakage current	$\leq 10\mu\text{A}$ @ $V_{\text{max}}$
Output voltage drop	$\leq 1,2\text{V}$ @ $I_{\text{load}}=100\text{mA}$
Max ripple content	$\leq 10\%$
LED indicators	red (output state)
Time delay before availability	$\leq 200\text{ms}$
Short-circuit protection	Yes
Reverse Polarity Protection	Yes

Emission	LED Infrared (880nm)
Interference to external light	3000lux Incandescent Lamp, 10000lux

#### Mechanical data

Dimensions	15x49x26mm
Weight	90g
Housing Material	ABS
Connections	M12 plug 90°
Active Head Material	PMMA
Operating temperature	- 25°C...+ 70°C ( without freeze)
Material	
Diameter/Dimension	Cubic

#### Test/Approvals

Approvals	CE
EMC compatibility	EN 60947-5-2
Shocks and vibrations	Vibration IEC 60068-2-6 / Shock IEC 60068-2-27
Degree of protection	IP65

#### Accessories

Supplied Accessories	ST07 mounting bracket and screws
----------------------	----------------------------------

## Generical Data

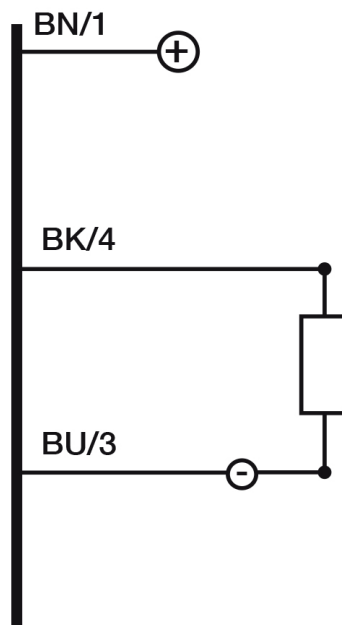
Dimensions 15x49x26mm

Operating Temperature - 25°C...+ 70°C (Without freeze)

Mechanical Protection IP65

# CONNECTIONS

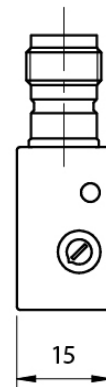
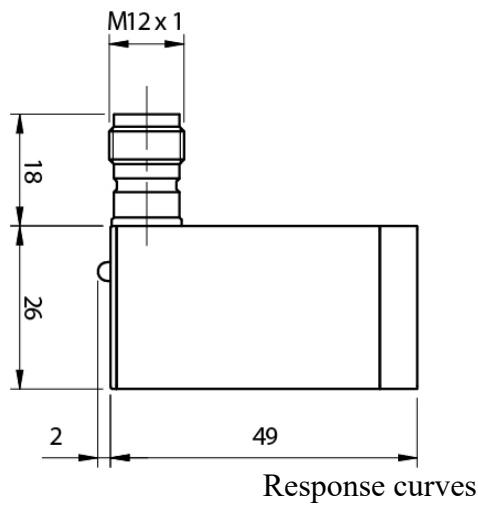
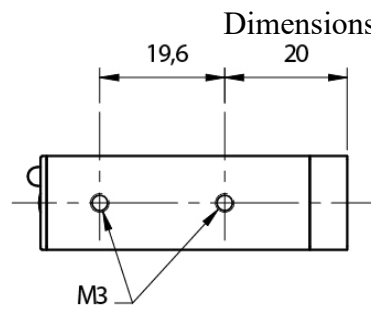
Electrical diagram



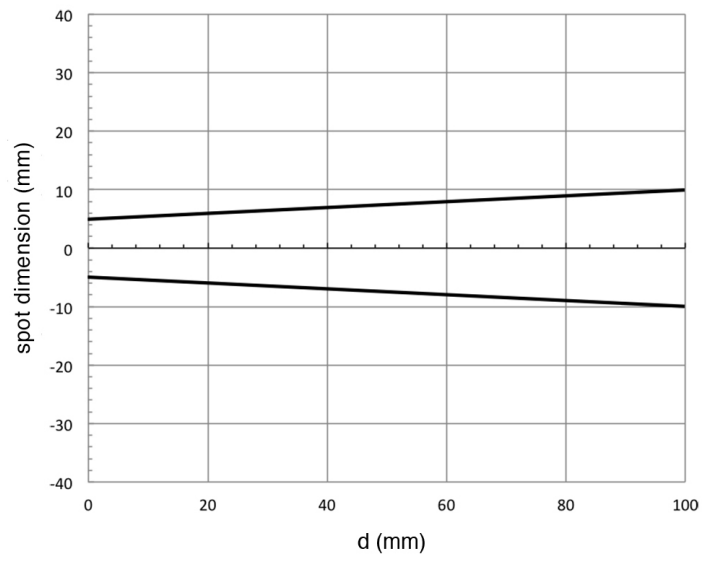
Connector



## OTHERS



Response curves



**Datasensing  
S.r.l.**

Strada S.Caterina, 235  
41122 Modena (MO)  
Tel. 059 420411  
Fax 059 253973  
E-mail  
info@datasensing.com

**date of  
printing**  
14/05/2026  
00:09:56