



# PS

## PS2/AN-0E

Photo.Min, NPN-NO, M12 plug, Diffuse  
DC MINIATURIZED CUBIC PHOTOELECTRIC SENSORS

## OVERVIEW

- Wide range of models: diffuse, retro-reflective, through-beam
- Extremely reduced dimensions
- High sensing distance
- Sensitivity adjustment
- Standard cable exit or M12 plug exit
- LED status indicator
- IP65 protection degree
- Complete protection against electrical damage



## TECHNICAL FEATURES

### Detection properties

|                          |                |
|--------------------------|----------------|
| Nominal sensing distance | 100mm          |
| Thermal drift of Sr      | $\leq 10\%$ Sr |
| Repeat Accuracy          | $\leq 5\%$     |
| Sensitivity adjustment   | Trimmer        |

## Application

|                    |   |
|--------------------|---|
| Function Principle | Diffuse reflection (short distance, $\leq 200\text{mm}$ ) |
|--------------------|---|

|                |       |
|----------------|-------|
| Optic position | Axial |
|----------------|-------|

## Outputs

|             |        |
|-------------|--------|
| Output type | NPN NO |
|-------------|--------|

|                 |    |
|-----------------|----|
| Output Function | NO |
|-----------------|----|

|                     |       |
|---------------------|-------|
| Switching frequency | 100Hz |
|---------------------|-------|

|               |     |
|---------------|-----|
| Response time | 5ms |
|---------------|-----|

## Electrical data

|                   |            |
|-------------------|------------|
| Operating Voltage | 10...30VDC |
|-------------------|------------|

|                        |                    |
|------------------------|--------------------|
| No-Load supply current | $\leq 30\text{mA}$ |
|------------------------|--------------------|

|              |                     |
|--------------|---------------------|
| Load current | $\leq 100\text{mA}$ |
|--------------|---------------------|

|                 |   |
|-----------------|---|
| Leakage current | $\leq 10\mu\text{A}$ @ $V_{\text{max}}$ |
|-----------------|---|

|                     |   |
|---------------------|---|
| Output voltage drop | $\leq 1,2\text{V}$ @ $I_{\text{load}}=100\text{mA}$ |
|---------------------|---|

|                    |             |
|--------------------|-------------|
| Max ripple content | $\leq 10\%$ |
|--------------------|-------------|

|                |                    |
|----------------|--------------------|
| LED indicators | red (output state) |
|----------------|--------------------|

|                                |                     |
|--------------------------------|---------------------|
| Time delay before availability | $\leq 200\text{ms}$ |
|--------------------------------|---------------------|

|                          |     |
|--------------------------|-----|
| Short-circuit protection | Yes |
|--------------------------|-----|

|                             |     |
|-----------------------------|-----|
| Reverse Polarity Protection | Yes |
|-----------------------------|-----|

|                                |                                     |
|--------------------------------|-------------------------------------|
| Emission                       | LED Infrared (880nm)                |
| Interference to external light | 3000lux Incandescent Lamp, 10000lux |

#### Mechanical data

|                       |                                   |
|-----------------------|-----------------------------------|
| Dimensions            | 15x49x26mm                        |
| Material              |                                   |
| Housing material      | ABS                               |
| Weight                | 90g                               |
| Connections           | M12 plug 90°                      |
| Active Head Material  | PMMA                              |
| Operating temperature | - 25°C...+ 70°C ( without freeze) |
| Diameter/Dimension    | Cubic                             |

#### Test/Approvals

|                       |  |
|-----------------------|--|
| Approvals             | CE   |
| EMC compatibility     | EN 60947-5-2                                   |
| Shocks and vibrations | Vibration IEC 60068-2-6 / Shock IEC 60068-2-27 |
| Degree of protection  | IP65   |

#### Accessories

|                      |                                  |
|----------------------|----------------------------------|
| Supplied Accessories | ST07 mounting bracket and screws |
|----------------------|----------------------------------|

## Generical Data

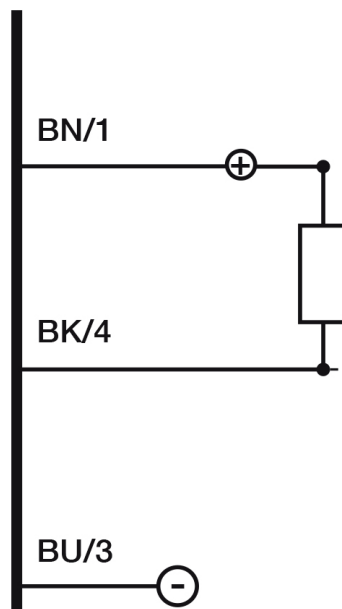
Dimensions 15x49x26mm

Operating Temperature - 25°C...+ 70°C (Without freeze)

Mechanical Protection IP65

# CONNECTIONS

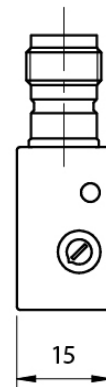
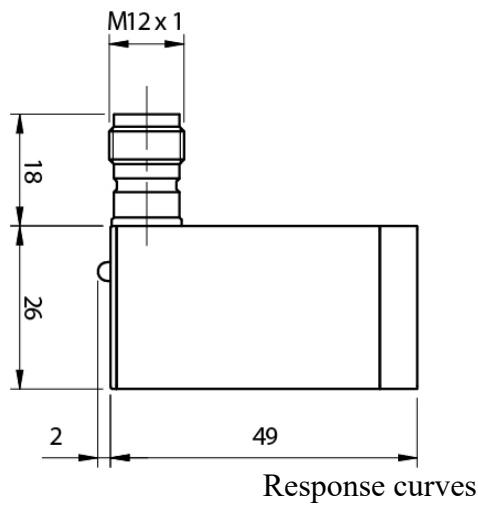
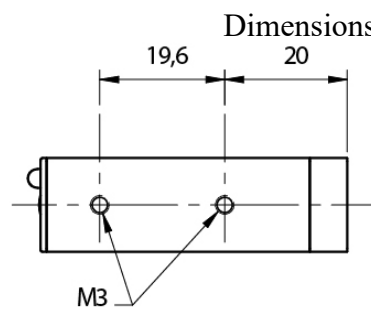
Electrical diagram



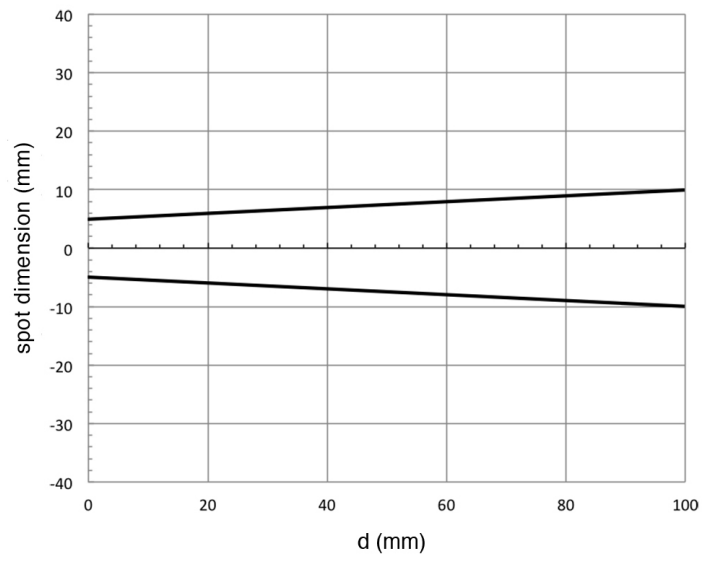
Connector



## OTHERS



Response curves



**Datasensing  
S.r.l.**

Strada S.Caterina, 235  
41122 Modena (MO)  
Tel. 059 420411  
Fax 059 253973  
E-mail  
info@datasensing.com

**date of  
printing**  
17/06/2026  
10:39:09