



FL

FLID/LP-0C

Photo,30m,PNP-LO,Cable 90°,Receiver
“T-STYLE” HOUSING PHOTOELECTRIC SENSORS WITH
M18 OPTICAL HEAD FOR CAR WASHES

OVERVIEW



TECHNICAL FEATURES

Detection properties

| | |
|--------------------------|--------|
| Nominal sensing distance | 30m |
| Sensitivity adjustment | No |
| Hysteresis | +/- 1% |

Application

| | |
|--------------------|---------------------|
| Function Principle | Receiver |
| Notes | (3m for car washes) |
| Emitter/Receiver | Receiver |

Outputs

| | |
|-----------------|---------|
| Output type | PNP Lon |
| Output Function | Lon |
| Response time | <12 ms |

Electrical data

| | |
|----------------------------------|--|
| Operating Voltage | 19,2 ... 28,8VDC |
| Load current | ≤30mA |
| LED indicators | Green (RUN) Yellow (status output) Red (problem with output) |
| Time delay before availability | ≤200ms |
| Short-circuit protection | Yes |
| Reverse Polarity Protection | Yes |
| Impulsive Overvoltage Protection | Yes |
| Digital Resolution | 12 bit |

Mechanical data

| | |
|----------------------|------------------|
| Housing material | PBT + PC |
| Weight | 570 g (the pair) |
| Connections | 5m PVC cable |
| Active Head Material | PC |
| Tightening torque | 1Nm |

| | |
|-----------------------|----------------------------|
| Operating temperature | -20..60°C (without freeze) |
| Storage temperature | -30..90°C (without freeze) |

Test/Approvals

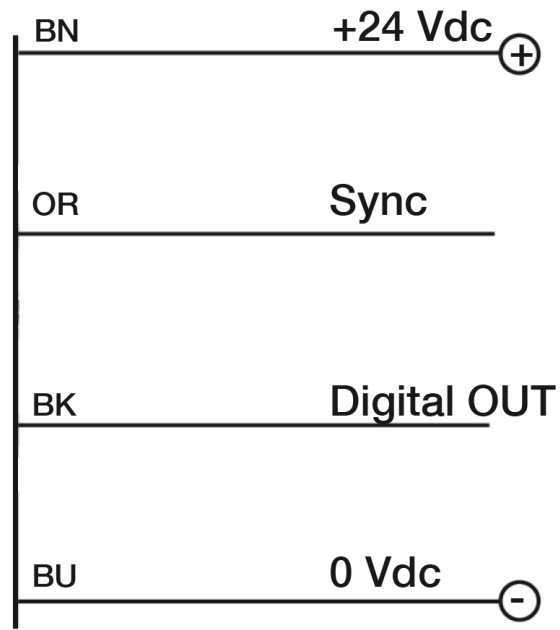
| | |
|----------------------|-------------------------|
| Approvals | CE |
| EMC compatibility | EN 60947-5-2 |
| Degree of protection | IP67 (front-head IP69K) |

Generical Data

| | |
|-----------------------|----------------------------------|
| Operating Temperature | - 20°C...+ 70°C (Without freeze) |
| Mechanical Protection | IP67 (front-head IP69K) |

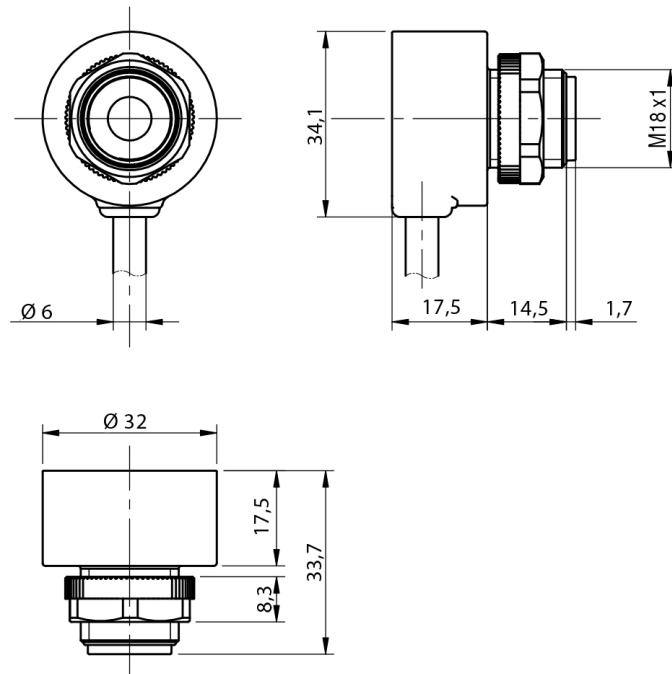
CONNECTIONS

Eletrical diagram

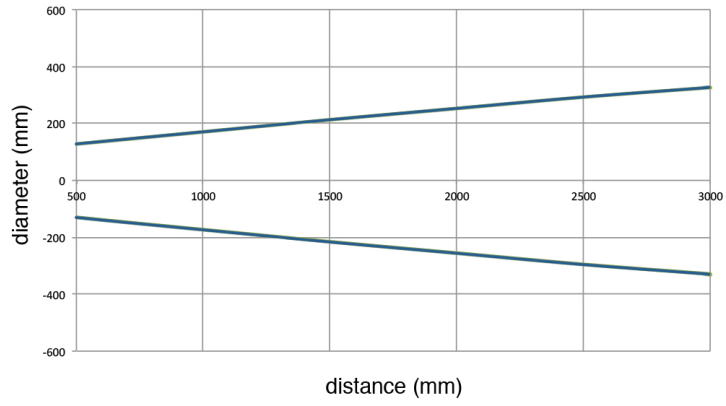


OTHERS

Dimensions



Response curves



**Datasensing
S.r.l.**

Strada S.Caterina, 235
41122 Modena (MO)
Tel. 059 420411
Fax 059 253973
E-mail
info@datasensing.com

**date of
printing**
03/06/2026
19:36:31