



FQ

FQI8/BN-0A

Photo.M18,NPN-NO+NC,Cable,Diffuse
M18 PHOTOELECTRIC SENSORS WITH SHORT BODY

OVERVIEW

- Wide range of models: direct diffuse, retro-reflective, polarized and fixed-focus
- Direct diffuse models with short and long sensing distance, polarized and through beam
- Nickel brass or plastic housing
- NO+NC complementary output
- P67 protection degree
- Complete protection against electrical damages
- Approvals: CE



TECHNICAL FEATURES

Detection properties

Nominal sensing distance	1,2m
Thermal drift of Sr	$\leq 10\%$ Sr
Repeat Accuracy	5%
Sensitivity adjustment	Trimmer

Application

Function Principle	Diffuse reflection (long distance, >600mm)
Notes	white target Kodak 90% 400 x 400mm
Optic position	Axial

Outputs

Output type	NPN NO+NC
Output Function	NO+NC
Switching frequency	250Hz
Response time	2ms

Electrical data

Operating Voltage	10...30VDC
No-Load supply current	$\leq 30\text{mA}$
Load current	$\leq 50\text{mA}$
Leakage current	$\leq 10\mu\text{A}$
Output voltage drop	$\leq 2\text{V}@I_{\text{load}}=50\text{mA}$
Max ripple content	$\leq 10\%$
LED indicators	Yellow (status output)
Time delay before availability	$\leq 200\text{ms}$
Short-circuit protection	Short circuit (autoreset), Overvoltage

Reverse Polarity Protection	Polarity inversal, Impulsive voltage
Emission	LED Infrared (880nm)
Interference to external light	5000lux (incandescent lamp), 10000lux (sunlight)

Mechanical data

Dimensions	M18 x 1/L=51,2mm
Weight	40g
Housing Material	PBT / PC cable exit
Connections	2m PVC cable
Active Head Material	PC
Tightening torque	1Nm
Operating temperature	- 25°C...+ 70° C (Without freeze)
Diameter/Dimension	M18

Test/Approvals

Approvals	CE
EMC compatibility	EN 60947-5-2
Shocks and vibrations	Vibration IEC 60068-2-6 / Shock IEC 60068-2-27
Degree of protection	IP67

Accessories

Supplied Accessories	nuts M18 x 1, screwdriver
----------------------	---------------------------

Generical Data

Dimensions

M18 x 1/L=51,2mm

Operating Temperature

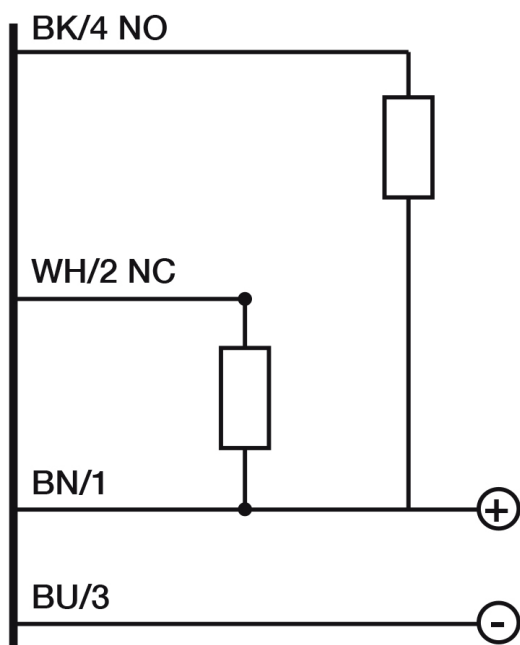
- 25°C...+ 70°C (Without freeze)

Mechanical Protection

IP67

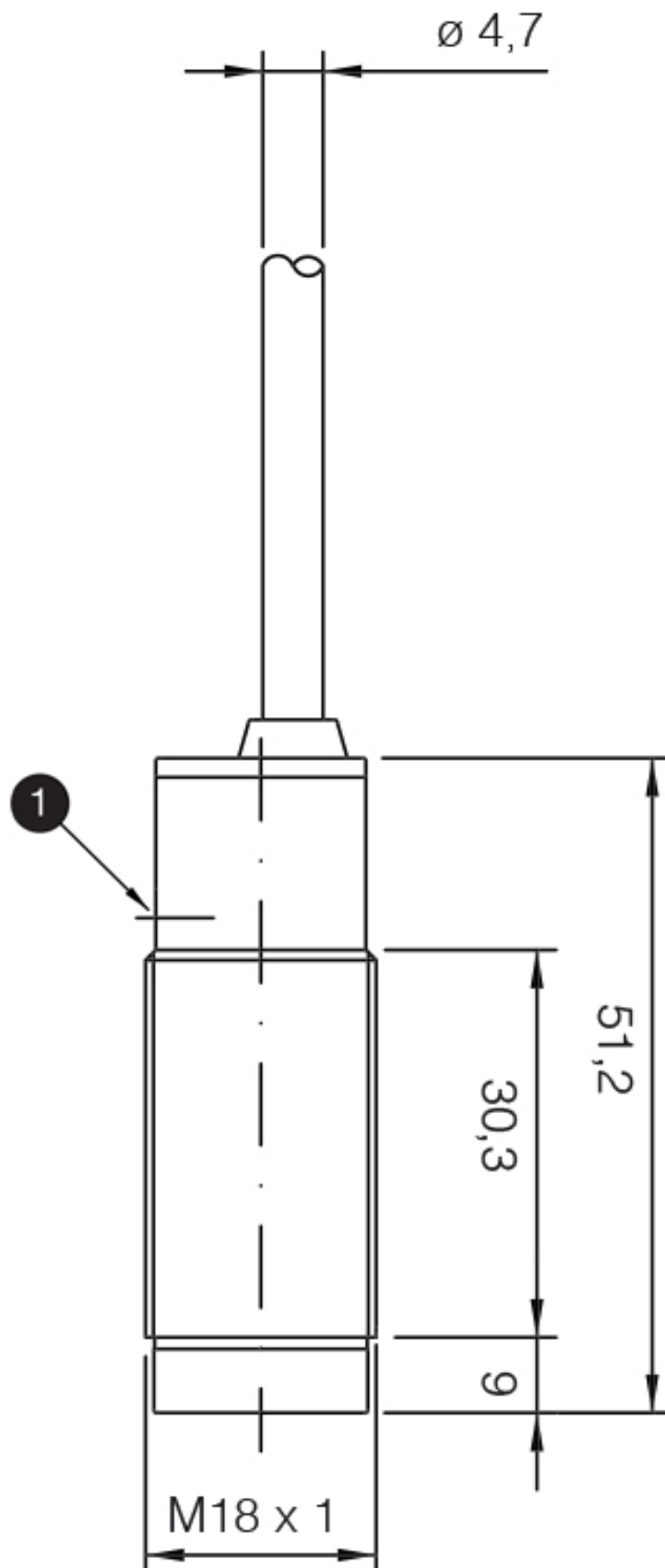
CONNECTIONS

Electrical diagram



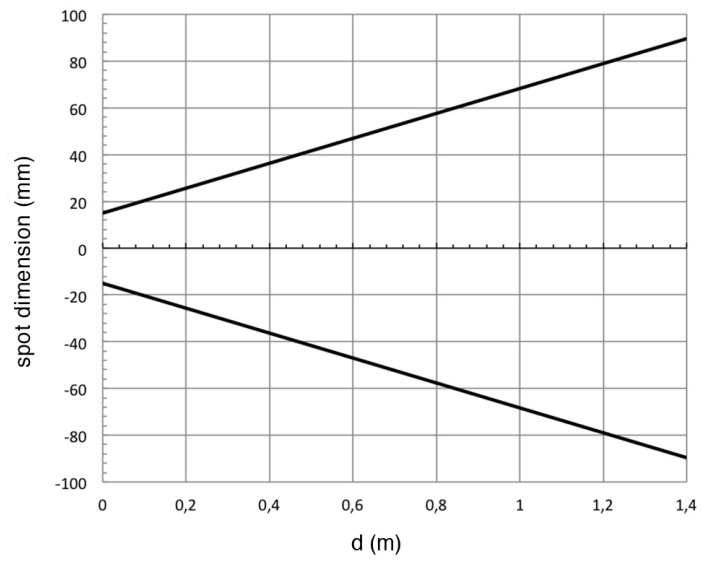
OTHERS

Dimensions



1 trimmer

Response curves



**Datasensing
S.r.l.**

Strada S.Caterina, 235
41122 Modena (MO)
Tel. 059 420411
Fax 059 253973
E-mail
info@datasensing.com

**date of
printing**
03/04/2026
08:43:04