



# H8

## H8R/1

Photo.M8,Cable,Receiver  
M8 HIGH FREQUENCY DC

## OVERVIEW

- Very small dimensions: M8 housing
- High switching frequency: 50 kHz
- Completely amplified
- IP67 protection degree
- Strong stainless steel housing
- Approvals: CE



## TECHNICAL FEATURES

### Detection properties

Nominal sensing distance	80mm
--------------------------	------

Sensitivity adjustment	No
------------------------	----

### Application

Function Principle	Receiver
--------------------	----------

Emitter/Receiver	Receiver
------------------	----------

Optic position	Axial
----------------	-------

### Outputs

Output type	Open collector
Switching frequency	50kHz
Response time	10 $\mu$ s

### Electrical data

Operating Voltage	$\leq 30$ VDC
Load current	$\leq 2,5$ mA
Output voltage drop	$\leq 0,2$ V@Iload=0,5mA
Max ripple content	$\leq 1$ %
Time delay before availability	$\leq 200$ ms
Emission	LED Infrared (880nm)
Interference to external light	150lux (incandescent lamp)

### Mechanical data

Dimensions	M8x0,75/L=25mm
Housing material	Stainless Steel AISI 303
Weight	63g
Connections	2m PVC cable
Active Head Material	PMMA

Operating temperature	- 25°C...+ 70° C (without freeze)
Diameter/Dimension	M8

#### Test/Approvals

Approvals	CE
EMC compatibility	EN 60947-5-2
Shocks and vibrations	Vibration IEC 60068-2-6 / Shock IEC 60068-2-27
Degree of protection	IP67

#### Accessories

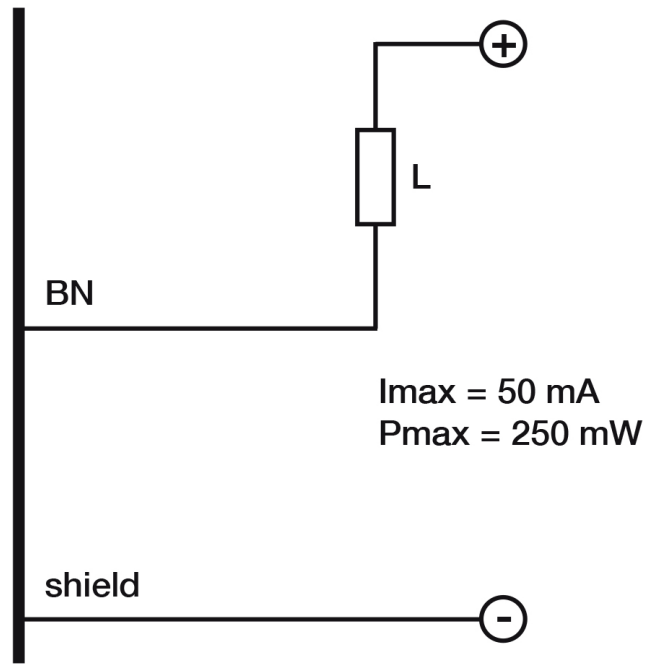
Supplied Accessories	nuts M8 x 0,75
----------------------	----------------

#### Generical Data

Dimensions	M8x0,75/L=25mm
Operating Temperature	- 25°C...+ 70°C (Without freeze)
Mechanical Protection	IP67

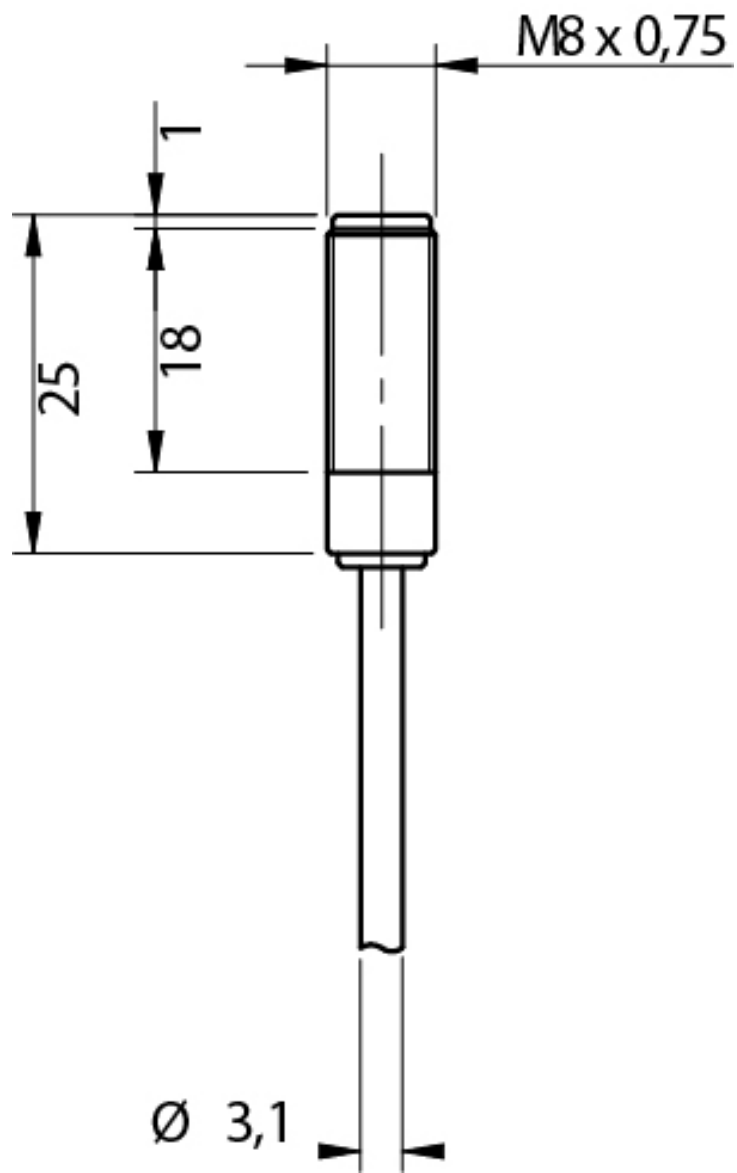
## CONNECTIONS

Eletrical diagram

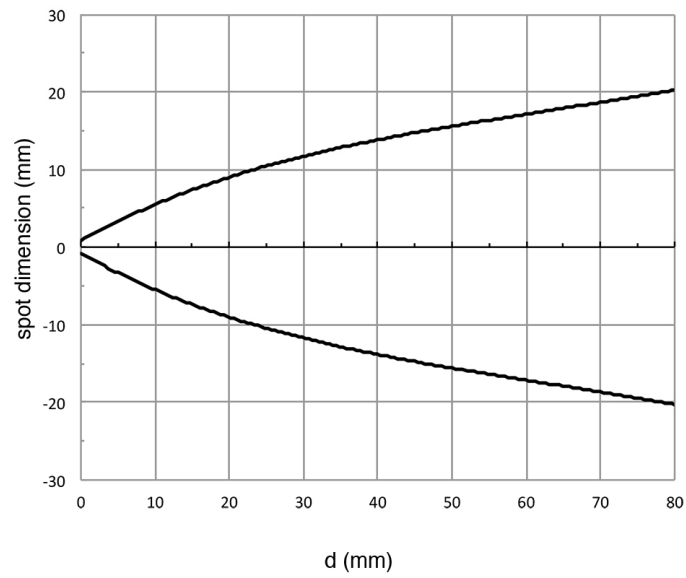


## OTHERS

Dimensions



Response curves



**Datasensing  
S.r.l.**

Strada S.Caterina, 235  
41122 Modena (MO)  
Tel. 059 420411  
Fax 059 253973  
E-mail  
info@datasensing.com

**date of  
printing**  
13/06/2026  
13:37:35